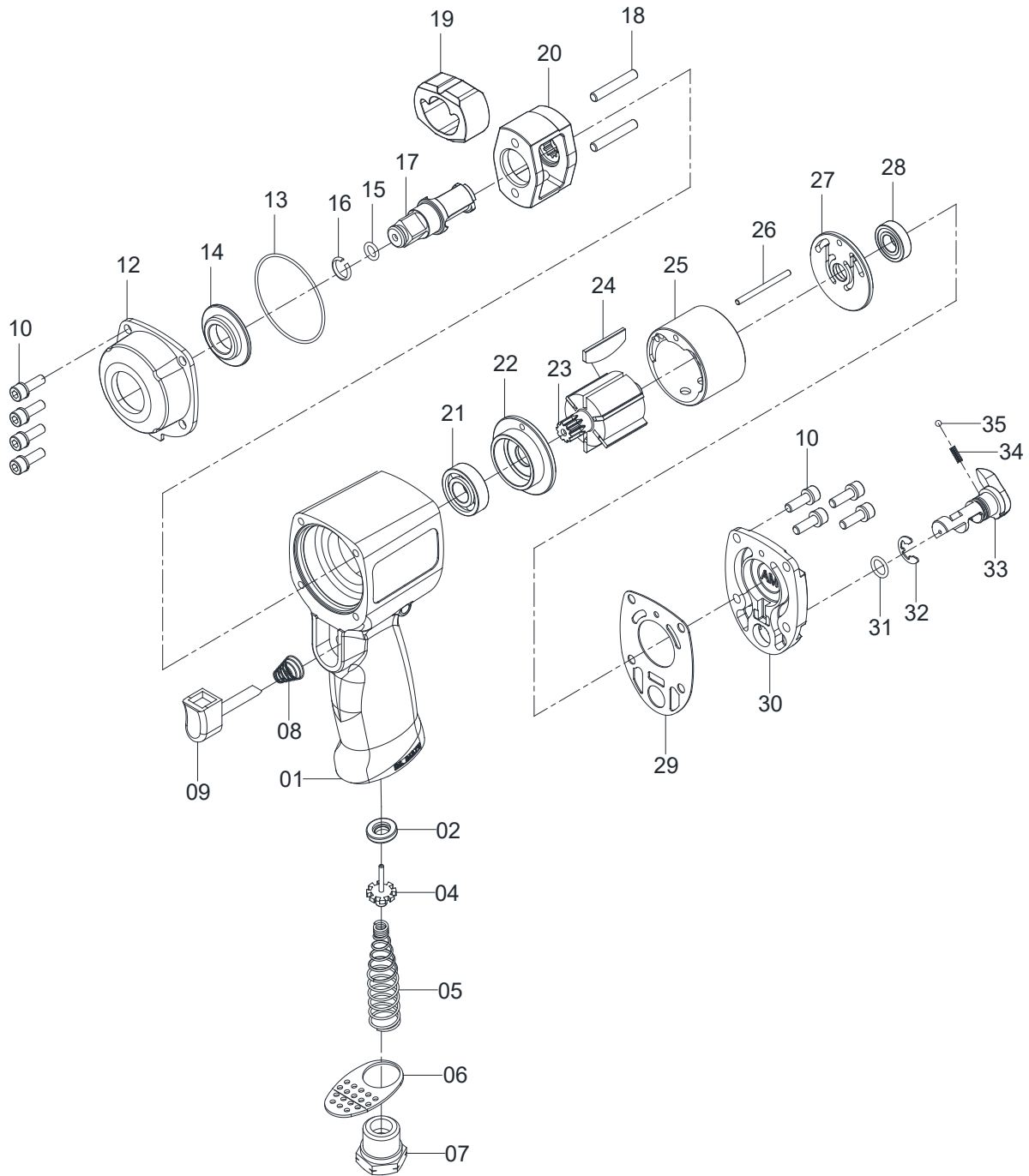


1/2" SQ. DR. HEAVY DUTY AIR IMPACT WRENCH



1413-VG

INDEX NO.	DESCRIPTION	REQ'D NO.	INDEX NO.	DESCRIPTION	REQ'D NO.
01	Motor Housing Assembly	1	20	Hammer Frame	1
02	Throttle Valve Seat	1	21	Ball Bearing	1
04	Throttle Valve Assembly	1	22	Front End Plate	1
05	Spring	1	23	Rotor	1
06	Exhaust Deflector	1	24	Rotor Blade	6
07	Air Inlet	1	25	Cylinder	1
08	Spring	1	26	Pin	1
09	Trigger Assembly	1	27	Rear End Plate	1
10	Screw	8	28	Ball Bearing	1
★ 12	Hammer Case Assembly (incl.14)	1	29	Backhead Gasket	1
13	O-Ring	1	30	Backhead	1
● 14	Bushing	1	31	O-Ring	1
● 15	O-Ring	1	32	Retainer	1
● 16	Socket Retainer	1	33	Reverse Valve	1
★ 17	Standard Anvil Assembly (incl.15.16)	1	34	Steel Ball Spring	1
18	Hammer Pin	2	35	Steel Ball	1
19	Hammer	1	TK	Tune-up Kit { incl.5.8.13.15.16.24 (6).29.31.34.35 }	

★ Must be Purchased in Assembly Set

● Recommended not to be purchased alone due to assembly difficulty

20191008R1