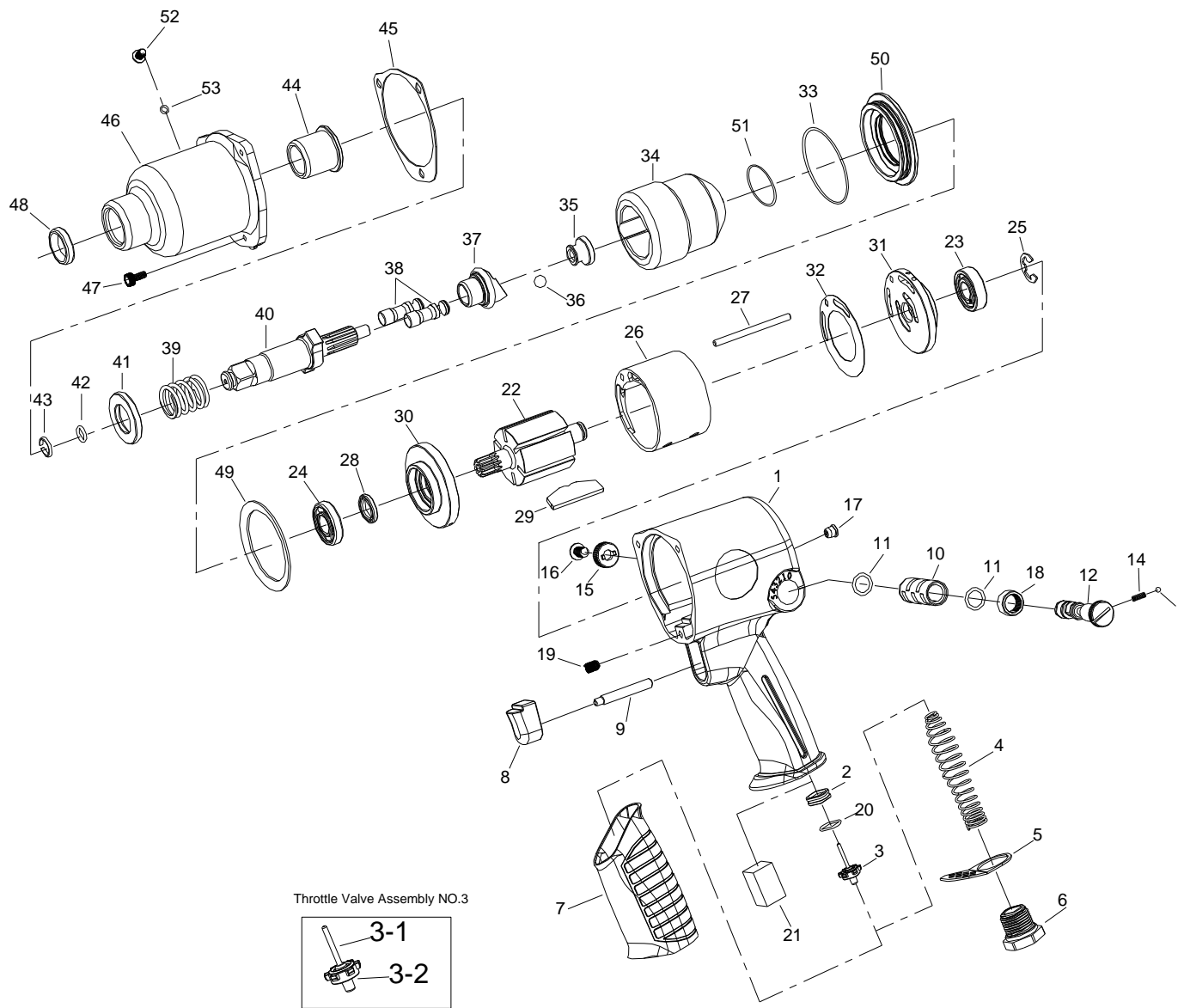


# 1/2" SQ. DR. HEAVY DUTY IMPACT WRENCH



1432

INDEX NO.	DESCRIPTION	REQ'D NO.	INDEX NO.	DESCRIPTION	REQ'D NO.
★ 1	Motor Housing Assembly( incl.2.10.17.18.19(3).20)	1	27	Cylinder Pin	1
● 2	Throttle Valve Seat	1	28	Oil Seal	1
3	Throttle Valve Assembly	1	29	Rotor Blade	6
3-1	Throttle Valve Pin	1	30	Front End Plate	1
3-2	Throttle Valve	1	31	Rear End Plate	1
4	Throttle Valve Spring	1	32	Gasket	1
5	Exhaust Deflector	1	33	O-Ring	1
6	Air Inlet	1	34	Hammer Frame	1
7	Rubber Grip	1	35	Cam Ball Pilot	1
★ 8	Trigger(incl.9)	1	36	Steel Ball	1
● 9	Trigger Pin	1	37	Hammer Cum	1
● 10	Reverse Valve Bushing	1	38	Hammer Pin	2
11	O-Ring	2	39	Spring	1
12	Reverse Valve	1	40	Standard Anvil	1
13	Steel Ball	1	41	Washer	1
14	Ball Spring	1	42	O-Ring	1
15	Air Regulator	1	43	Retainer	1
16	Screw	1	● 44	Bushing	1
● 17	Grease Fitting	1	45	Gasket	1
● 18	Reverse Valve Bushing Gear	1	46	Hammer Case Assembly( incl.44.48.52.53)	1
● 19	Thread Insert	3	47	Screw	3
● 20	O-Ring	1	● 48	Oil Seal	1
21	Muffler Insert	1	49	Motor Clamp Washer	1
22	Rotor	1	50	Separator	1
23	Ball Bearing	1	51	O-Ring	1
24	Ball Bearing	1	● 52	Screw	1
25	Retainer	1	● 53	O-Ring	1
26	Cylinder	1	TK	Tune-Up Kit {4.11( 2 ).13.14.20.21.23.24.29 ( 6 ).32.33.36.39.42.43.45.49.51 }	

★ Must be Purchased in Assembly Set

● Recommended not to be purchased alone due to assembly difficulty

PA10-01432-3

20110505R1