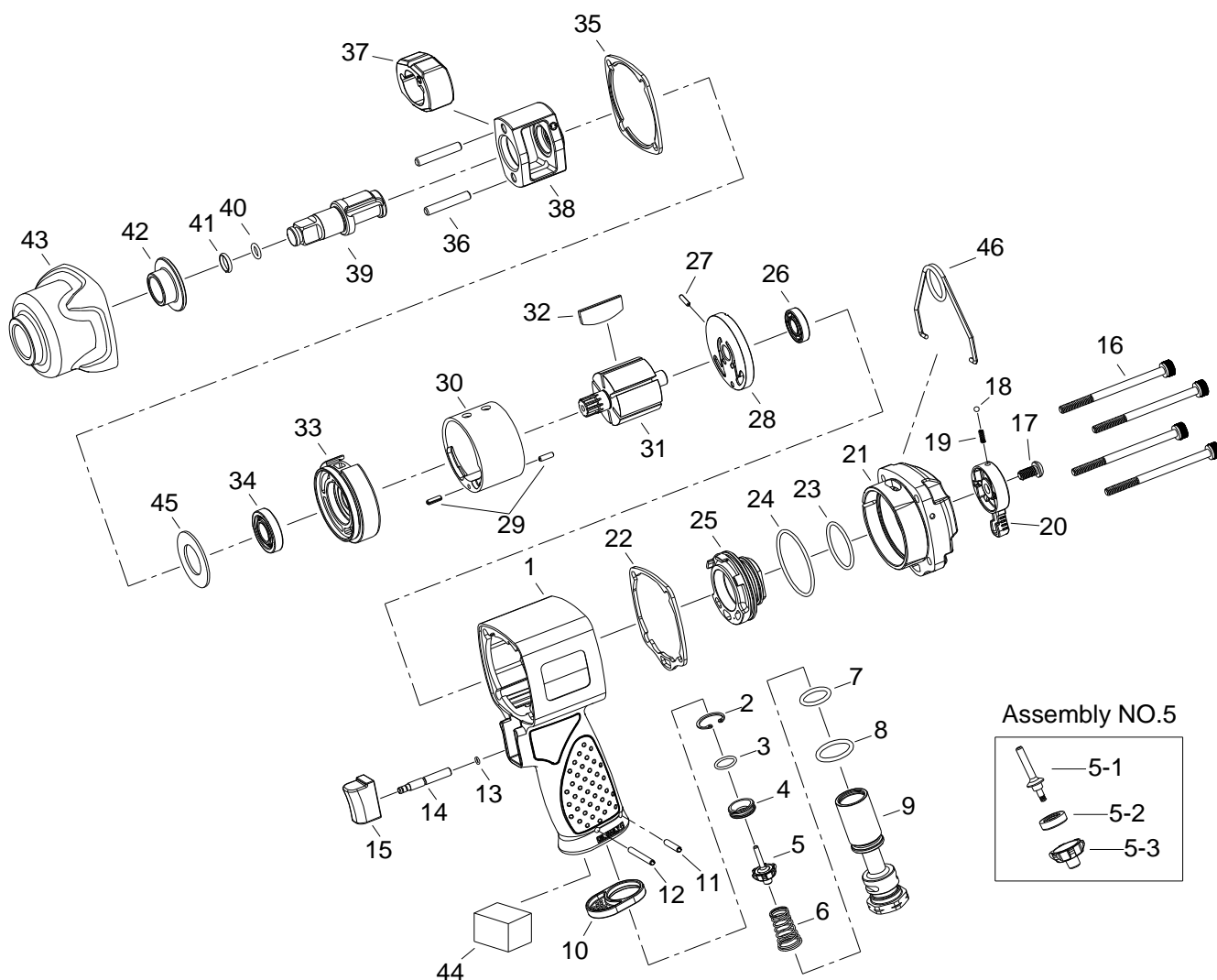


1/2" SQ. DR. SUPER DUTY IMPACT WRENCH



1470

INDEX NO.	DESCRIPTION	REQ'D NO.	INDEX NO.	DESCRIPTION	REQ'D NO.
1	Housing Assembly	1	23	O-Ring	1
2	Retainer	1	24	O-Ring	1
3	O-Ring	1	25	Reverse Valve	1
4	Throttle Valve Seat	1	26	Ball Bearing	1
★ 5	Throttle Valve Assembly (incl.5-1.5-2.5-3)	1	27	Spring Pin	1
● 5-1	Throttle Valve Pin	1	28	Rear End Plate	1
● 5-2	Rubber Seal	1	29	Spring Pin	2
● 5-3	Throttle Valve	1	30	Cylinder	1
6	Spring	1	31	Rotor	1
7	O-Ring	1	32	Rotor Blade	6
8	O-Ring	1	33	Front End Plate	1
9	Air Inlet	1	34	Ball Bearing	1
10	Exhaust Deflector	1	35	Gasket	1
11	Spring Pin	1	36	Hammer Pin	2
12	Spring Pin	1	37	Hammer	1
13	O-Ring	1	38	Hammer Frame	1
● 14	Trigger Pin	1	39	Standard Anvil	1
★ 15	Trigger Assembly (incl.14)	1	40	O-Ring	1
16	Screw	4	41	Socket Retainer	1
17	Screw	1	● 42	Bushing	1
18	Steel Ball	1	★ 43	Hammer Case Assembly (incl.42)	1
19	Spring	1	44	Muffler Element	1
20	Reverse Valve Knob	1	45	Washer	1
21	Backhead	1	46	Hanger	1
22	Gasket	1	TK	Tune-Up Kit { incl.3.6.7.8.11.12.18.19.22.23.24.32 (6).35.40.41.44 }	

★ Must be Purchased in Assembly Set

● Recommended not to be purchased alone due to assembly difficulty

20130729R2