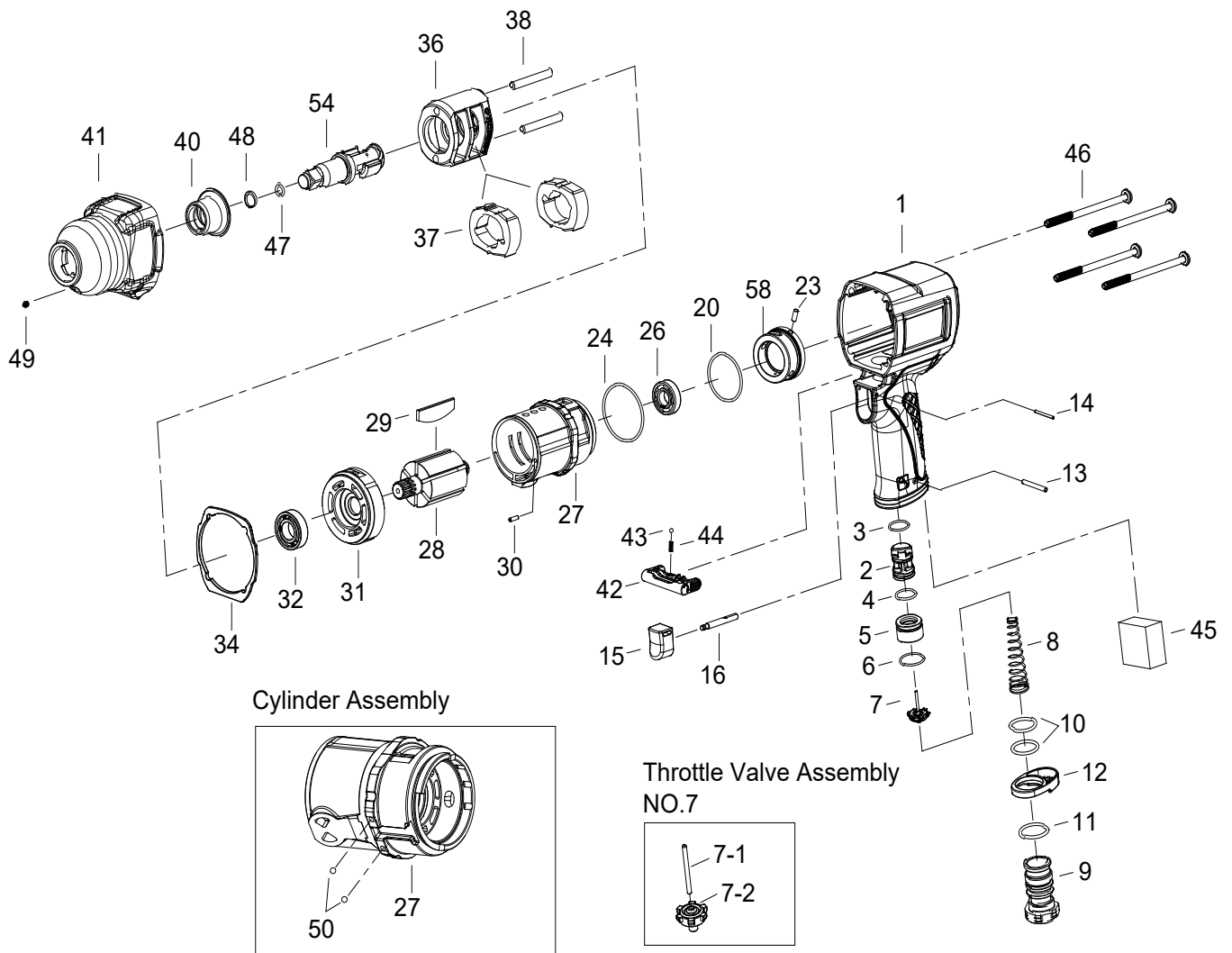


# 1/2" SQ. DR. SUPER DUTY IMPACT WRENCH



Cylinder Assembly

Throttle Valve Assembly NO.7

1480-MT

INDEX NO.	DESCRIPTION	REQ'D NO.	INDEX NO.	DESCRIPTION	REQ'D NO.
1	Motor Housing	1	28	Rotor	1
2	Reverse Valve	1	29	Rotor Blade	6
3	O-Ring	1	30	Spring Pin	1
4	O-Ring	1	31	Front End Plate	1
5	Throttle Valve Seat	1	32	Ball Bearing	1
6	O-Ring	1	34	Gasket	1
★ 7	Throttle Valve Assembly ( incl. 7-1.7-2 )	1	36	Hammer Frame	1
● 7-1	Throttle Valve Pin	1	37	Hammer	2
● 7-2	Throttle Valve	1	38	Hammer Pin	2
8	Spring	1	● 40	Bushing	1
9	Air Inlet	1	★ 41	Hammer Case Assembly ( incl.40.49 )	1
10	O-Ring	2	42	Reverse Knob	1
11	O-Ring	1	43	Steel Ball	1
12	Exhaust Deflector	1	44	Spring	1
13	Spring Pin	1	45	Muffler Element	1
14	Spring Pin	1	46	Screw	4
★ 15	Trigger Assembly ( incl.16 )	1	47	O-Ring	1
● 16	Trigger Pin	1	48	Socket Retainer	1
20	O-Ring	1	● 49	Grease Fitting	1
● 23	Spring Pin	1	● 50	Steel Ball	2
24	O-Ring	1	54	Standard Anvil	1
26	Ball Bearing	1	★ 58	Reverse Knob Assembly ( incl.23 )	
★ 27	Cylinder Assembly { incl.50 ( 2 ) }	1	TK	Tune-Up Kit { incl.3.4.6.8.10 ( 2 ),11.20.24.29 ( 6 ),34.43.44.45.47.48 }	

★ Must be Purchased in Assembly Set

● Recommended not to be purchased alone due to assembly difficulty

20150122R1