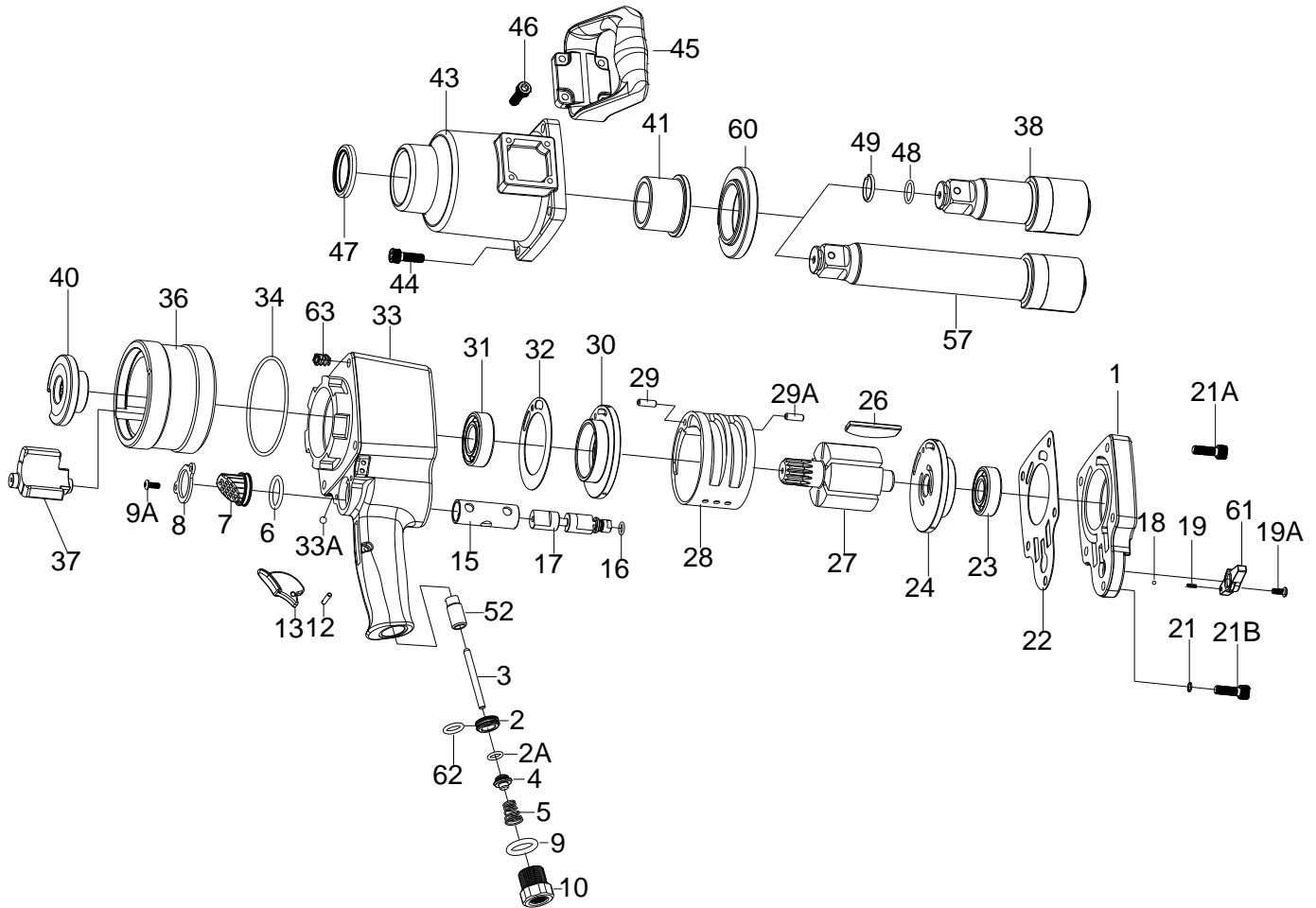


# 1" SQ. DR.SUPER DUTY IMPACT WRENCH



## 1840-P\_1840-P-6

INDEX NO.	DESCRIPTION	REQ'D NO.	INDEX NO.	DESCRIPTION	REQ'D NO.
1	Backhead	1	28	Cylinder	1
2	Throttle Valve Seat	1	29	Spring Pin	1
2A	O-Ring	1	29A	Spring Pin	1
3	Valve Stem	1	★ 30	Front End Plate Assembly ( incl.31 )	1
4	Throttle Valve	1	● 31	Ball Bearing	1
5	Spring	1	32	Gasket	1
6	O-Ring	1	★ 33	Motor Housing Assembly { incl.33A ( 4 ).52.63 ( 9 ) }	1
7	Exhaust Deflector	1	● 33A	Steel Ball	4
8	End Cap	1	34	O-Ring	1
9	O-Ring	1	36	Hammer Frame	1
9A	Screw	2	37	Hammer	1
10	Air Inlet	1	38	Standard Anvil ( for 1840-P )	1
12	Trigger Pin	1	40	Hammer Cam	1
13	Trigger	1	41	Bushing	1
15	Bushing	1	43	Hammer Case	1
16	O-Ring	1	44	Screw	4
17	Reverse Valve	1	45	Side Spade Handle	1
18	Steel Ball	1	46	Screw	4
19	Spring	1	47	Oil Seal	1
19A	Screw	1	48	O-Ring	1
21	Washer	1	49	Socket Retainer	1
21A	Screw	4	● 52	Bushing	1
21B	Screw	1	57	Extended Anvil ( for 1840-P-6 )	1
22	Backhead Gasket	1	60	Bushing	1
● 23	Ball Bearing	1	61	Reverse Valve Knob	1
★ 24	Rear End Plate Assembly ( incl.23 )	1	62	O-Ring	1
26	Rotor Blade	6	● 63	Heli-Coil	9
27	Rotor	1	TK	Tune-Up Kit { incl.2A.5.6.9.16.18.19.22.26 ( 6 ).32.34.48.49.62 }	

★ Must be Purchased in Assembly Set

● Recommended not to be purchased alone due to assembly difficulty

20140423R1