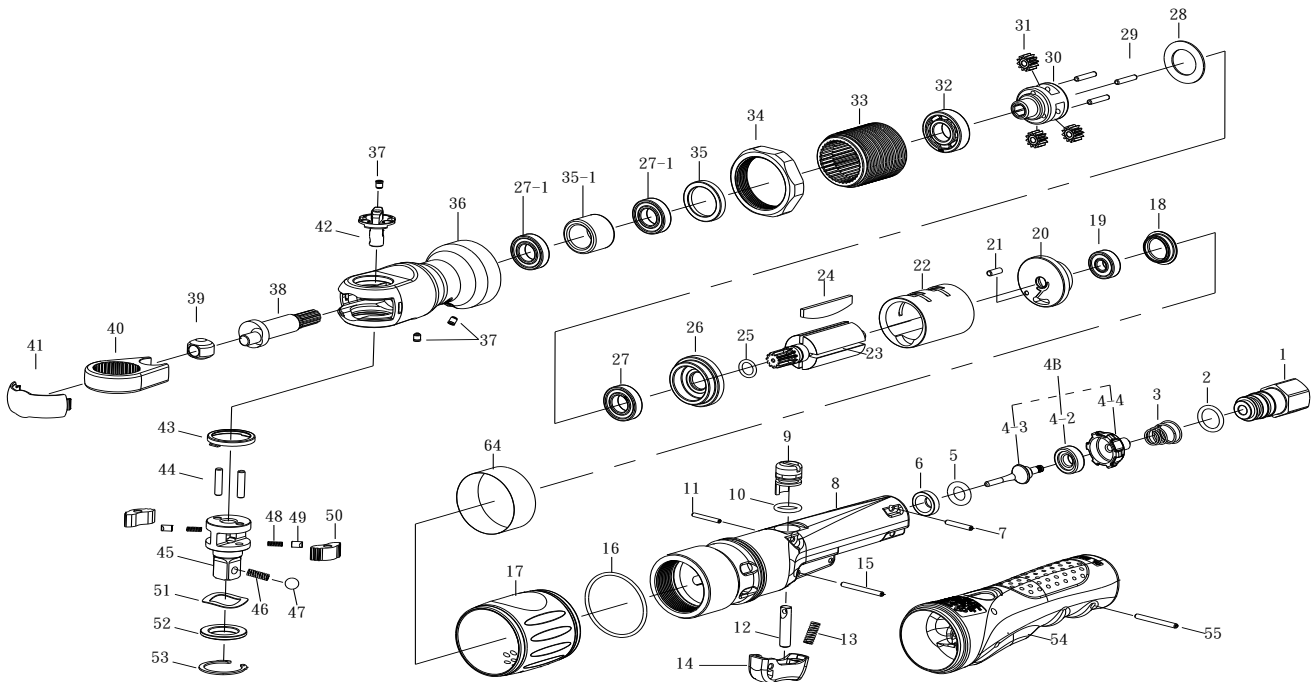


1/2" SQ.DR. SUPER DUTY RATCHET WRENCH



2402

INDEX NO.	DESCRIPTION	REQ'D NO.	INDEX NO.	DESCRIPTION	REQ'D NO.
1	Air Inlet	1	28	Spacer	1
2	O-Ring	1	29	Pin	3
3	Spring	1	30	Work Spindle	1
★ 4B	Throttle Valve Assembly (incl.4-2.4-3.4-4)	1	31	Planet Gear	3
● 4-2	Throttle Valve Rubber	1	32	Ball Bearing	1
● 4-3	Throttle Valve Pin	1	33	Ring Gear	1
● 4-4	Throttle Valve	1	34	Coupling Nut	1
5	O-Ring	1	35	Spacer	1
6	Throttle Valve Seat	1	35-1	Bushing	1
7	Spring Pin	1	★ 36	Ratchet Housing Assembly { incl.37(2) }	1
8	Motor Housing	1	● 37	Grease Fitting	3
9	Air Regulator	1	38	Crank Shaft	1
10	O-Ring	1	39	Drive Bushing	1
11	Spring Pin	1	40	Ratchet Yoke	1
12	Throttle Valve Plunger	1	41	Ratchet Housing Cover	1
13	Spring	1	★ 42	Reverse Knob Assembly (incl.37)	1
14	Trigger	1	43	Thrust Washer	1
15	Spring Pin	1	44	Pin	2
16	O-Ring	1	★ 45	Ratchet Anvil Assembly (incl.46.47)	1
17	Exhaust Deflector	1	● 46	Ball Spring	1
18	End Cap	1	● 47	Steel Ball	1
19	Ball Bearing	1	48	Ratchet Spring	2
20	Rear End Plate	1	49	Ratchet Lock Pin	2
21	Spring Pin	1	50	Ratchet Pawl	2
22	Cylinder	1	51	Wave Washer	1
23	Rotor	1	52	Thrust Washer	1
24	Rotor Blade	4	53	Retaining Ring	1
25	O-Ring	1	54	Rubber Grip	1
26	Front End Plate	1	55	Spring Pin	1
27	Ball Bearing	1	64	Muffler Element (Option)	1
27-1	Ball Bearing	2	TK	Tune-Up Kit {2.3.5.10.13.16 }	

★ Must be Purchased in Assembly Set

● Recommended not to be purchased alone due to assembly difficul

PA2-02303-3

20091223R3