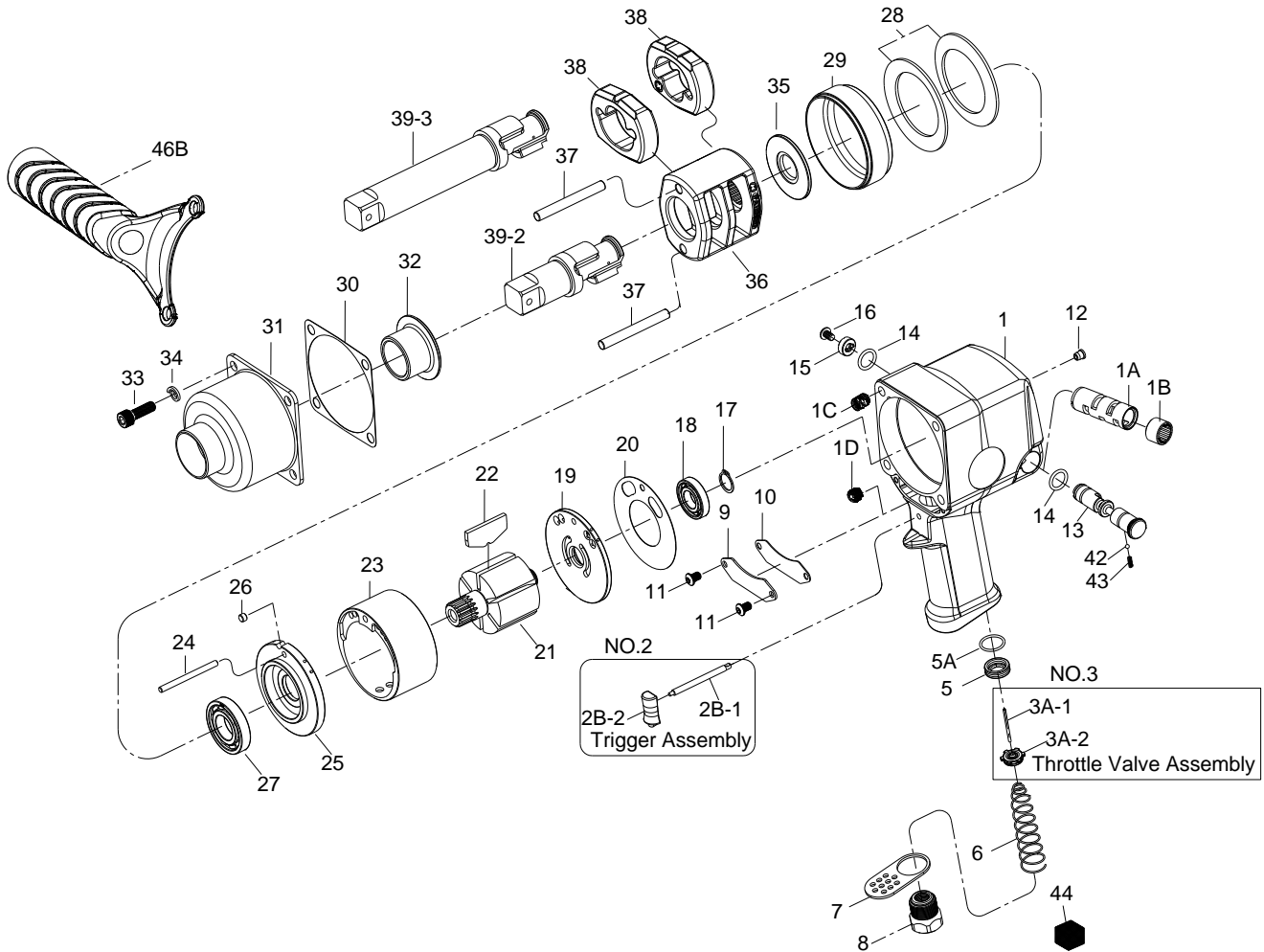


# 1" SQ. DR. SUPER DUTY IMPACT WRENCH



32\_32-6

INDEX NO.	DESCRIPTION	REQ'D NO.	INDEX NO.	DESCRIPTION	REQ'D NO.
★ 1	Housing Assembly { incl.1A.1B.1C ( 4 ).1D.12 }	1	20	Gasket	1
● 1A	Reverse Valve Bushing	1	21	Rotor	1
● 1B	Reverse Valve Bushing Gear	1	22	Rotor Blade	6
● 1C	Heli-Coil	4	23	Cylinder	1
● 1D	Set Screw	1	24	Cylinder Dowel	1
★ 2	Trigger Assembly ( incl.2B-1.2B-2 )	1	★ 25	Front End Plate Assembly ( incl.27 )	1
● 2B-1	Trigger Pin	1	26	Pin	1
● 2B-2	Trigger	1	● 27	Ball Bearing	1
★ 3	Throttle Valve Assembly ( incl.3A-1.3A-2 )	1	28	Motor Clamp Washer	2
● 3A-1	Throttle Valve Pin	1	29	Separator	1
● 3A-2	Throttle Valve	1	30	Gasket	1
5	Throttle Valve Seat	1	31	Hammer Case	1
5A	O-Ring	1	32	Bushing	1
6	Spring	1	33	Screw	4
7	Exhaust Deflector	1	34	Spring Washer	4
8	Air Inlet	1	35	Washer	1
9	Housing Plate	1	36	Hammer Frame	1
10	Gasket	1	37	Hammer Pin	2
11	Screw	2	38	Hammer	2
● 12	Grease Fitting	1	39-2	Standard Anvil ( for KI-32 )	1
13	Reverse Valve	1	39-3	6" Extended Anvil ( for KI-32-6 )	1
14	O-Ring	2	42	Steel Ball	1
15	Reverse Valve Knob	1	43	Spring	1
16	Screw	1	44	Muffler Element	1
17	Retainer	1	46B	Handle ( Option )	1
● 18	Ball Bearing	1			
★ 19	Rear End Plate Assembly ( incl.18 )	1	TK	Tune-Up Kit { incl.5A.6.14 ( 2 ).20.22 ( 6 ).30.42.43. }	

★ Must be Purchased in Assembly Set

● Recommended not to be purchased alone due to assembly difficulty

20130523R3