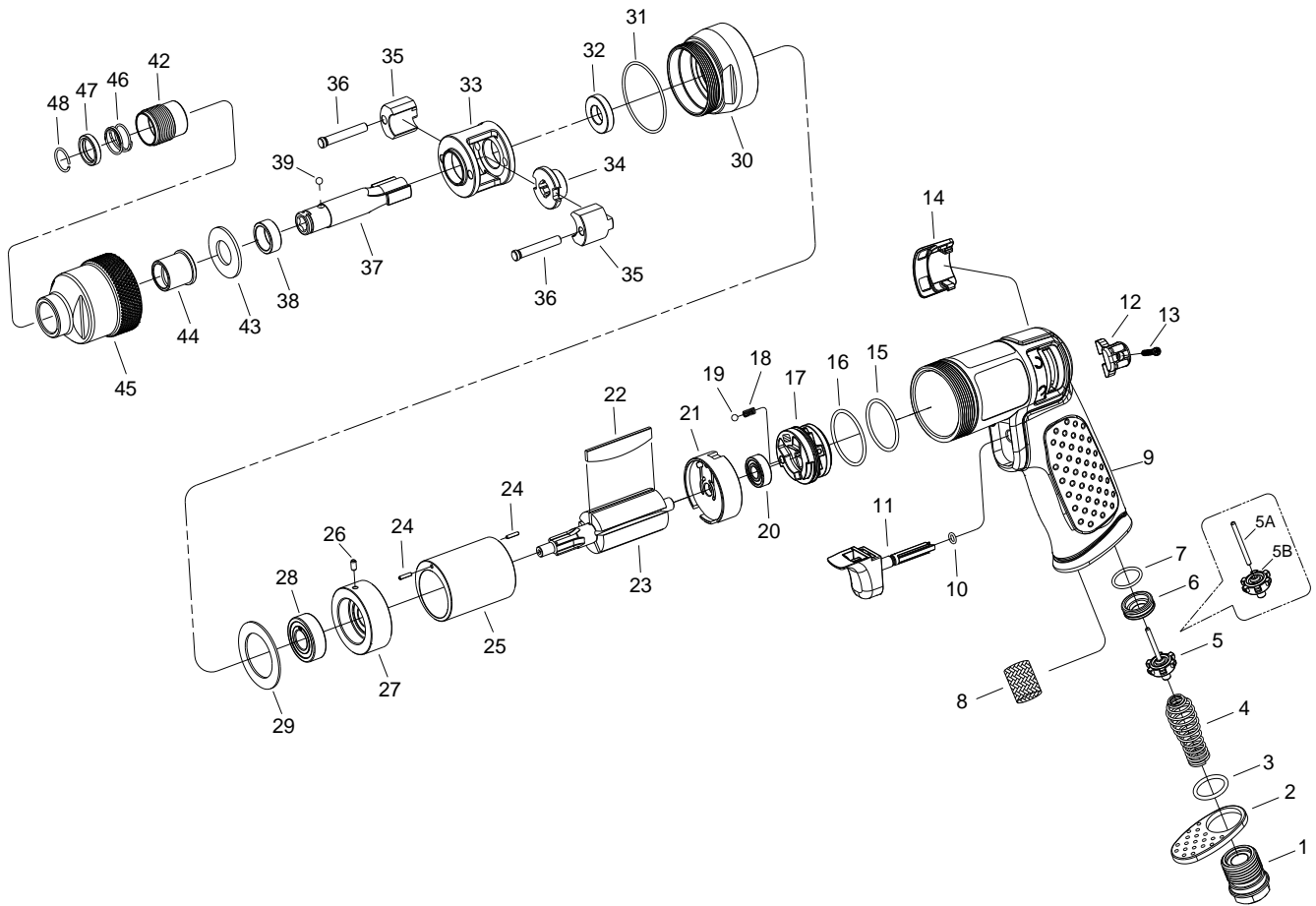


1/4" SUPER DUTY MINI AIR SCREWDRIVER



3206

INDEX NO.	DESCRIPTION	REQ'D NO.	INDEX NO.	DESCRIPTION	REQ'D NO.
1	Air Inlet	1	24	Spring Pin	2
2	Exhaust Deflector	1	25	Cylinder	1
3	O-Ring	1	26	Spring Pin	1
4	Spring	1	27	Front End Plate	1
★ 5	Throttle Valve Assembly (incl. 5A.5B)	1	28	Ball Bearing	1
● 5A	Throttle Valve Pin	1	29	Washer	1
● 5B	Throttle Valve	1	30	Coupling Nut	1
6	Throttle Valve Seat	1	31	O-Ring	1
7	O-Ring	1	32	Washer	1
8	Muffler Element	1	33	Hammer Frame	1
9	Motor Housing Assembly	1	34	Hammer Cam	1
10	O-Ring	1	35	Hammer	2
11	Trigger	1	36	Hammer Pin	2
12	Reverse Knob	1	37	Standard Anvil	1
13	Screw	1	38	Bushing	1
14	Reverse Plate	1	39	Steel Ball	1
15	O-Ring	1	42	Release Sleeve	1
16	O-Ring	1	43	Washer	1
17	Reverse Valve	1	● 44	Bushing	1
18	Spring	1	★ 45	Hammer Case Assembly (incl.44)	1
19	Steel Ball	1	46	Spring	1
20	Ball Bearing	1	47	Washer	1
21	Rear End Plate	1	48	Socket Retainer	1
22	Rotor Blade	5			
23	Rotor	1	TK	Tune-Up Kit { incl.3.4.7.10.15.16.18.19.22 (5).31.39.46 }	

★ Must be Purchased in Assembly Set

● Recommended not to be purchased alone due to assembly difficulty

20150925R3