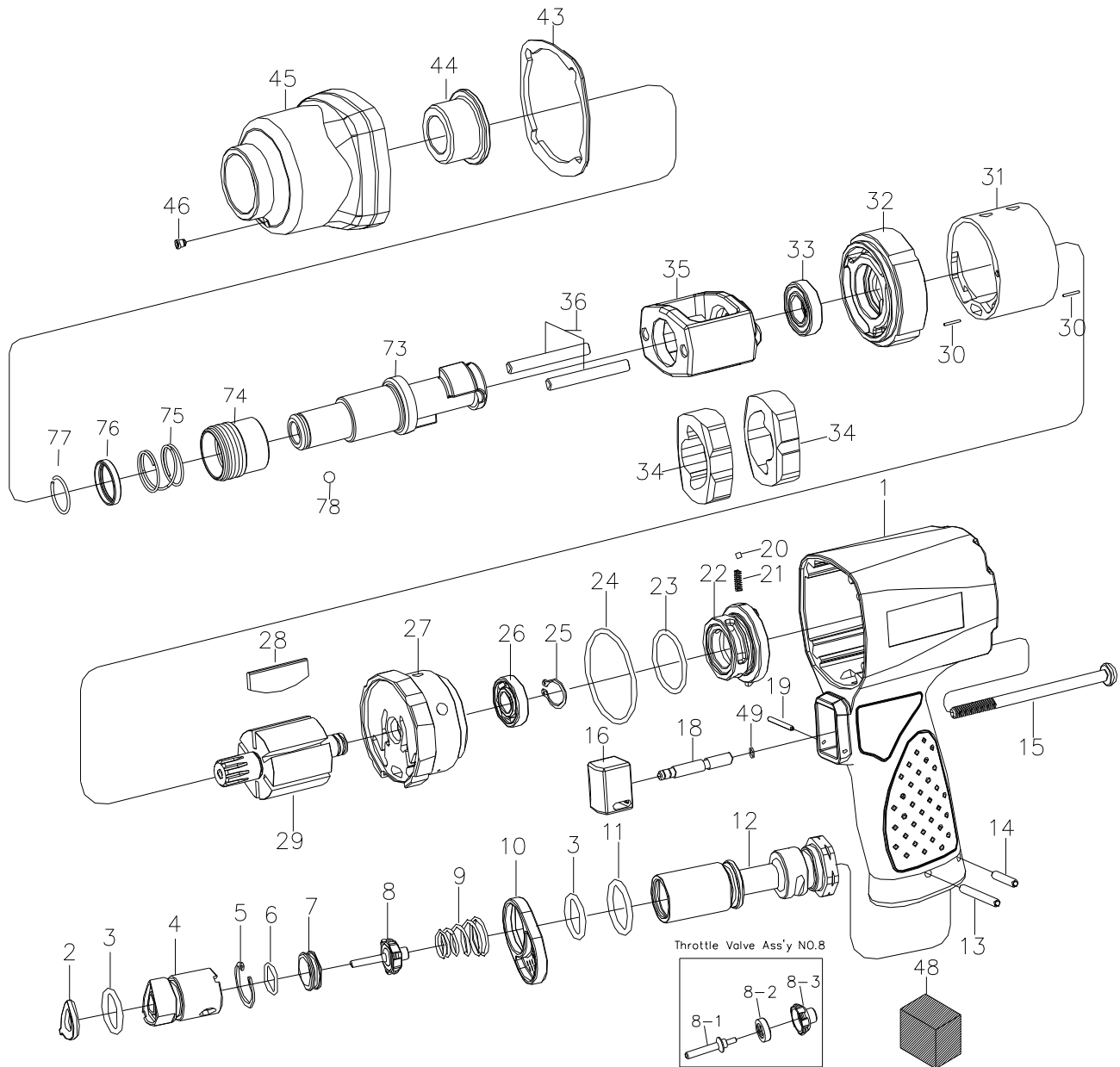


1/4" HEX. SUPER DUTY. SCREWDRIVER



3269-P-QL

INDEX NO.	DESCRIPTION	REQ'D NO.	INDEX NO.	DESCRIPTION	REQ'D NO.
1	Motor Housing	1	25	Retainer	1
2	O-Ring	1	26	Ball Bearing	1
3	O-Ring	2	27	Rear End Plate	1
4	Guide Tube	1	28	Rotor Blade	6
5	Retainer	1	29	Rotor	1
6	O-Ring	1	30	Spring Pin	2
7	Throttle Valve Seat	1	31	Cylinder	1
★ 8	Throttle Valve Assembly (incl.8-1.8-2.8-3)	1	32	Front End Plate	1
● 8-1	Throttle Valve Pin	1	33	Ball Bearing	1
● 8-2	Rubber Seal	1	34	Hammer	2
● 8-3	Throttle Valve	1	35	Hammer Frame	1
9	Spring	1	36	Hammer Pin	2
10	Exhaust Deflector	1	43	Gasket	1
11	O-Ring	1	● 44	Bushing	1
12	Air Inlet	1	★ 45	Hammer Case Assembly (incl.44.46)	1
13	Spring Pin	1	● 46	Grease Fitting	1
14	Spring Pin	1	48	Muffler Element	1
15	Screw	4	49	O-Ring	1
★ 16	Trigger Assembly (incl.18)	1	73	Standard Anvil	1
● 18	Trigger Pin	1	74	Release Sleeve	1
19	Spring Pin	1	75	Spring	1
20	Steel Ball	1	76	Washer	1
21	Spring	1	77	Socket Retainer	1
22	Reverse Valve	1	78	Steel Ball	1
23	O-Ring	1		TK	
24	O-Ring	1		Tune-Up Kit { incl.2.3 (2).6.9.11.20.21.23.24.28 (6).43.48.49.75.78 }	

★ Must be Purchased in Assembly Set

20150514R1

● Recommended not to be purchased alone due to assembly difficulty