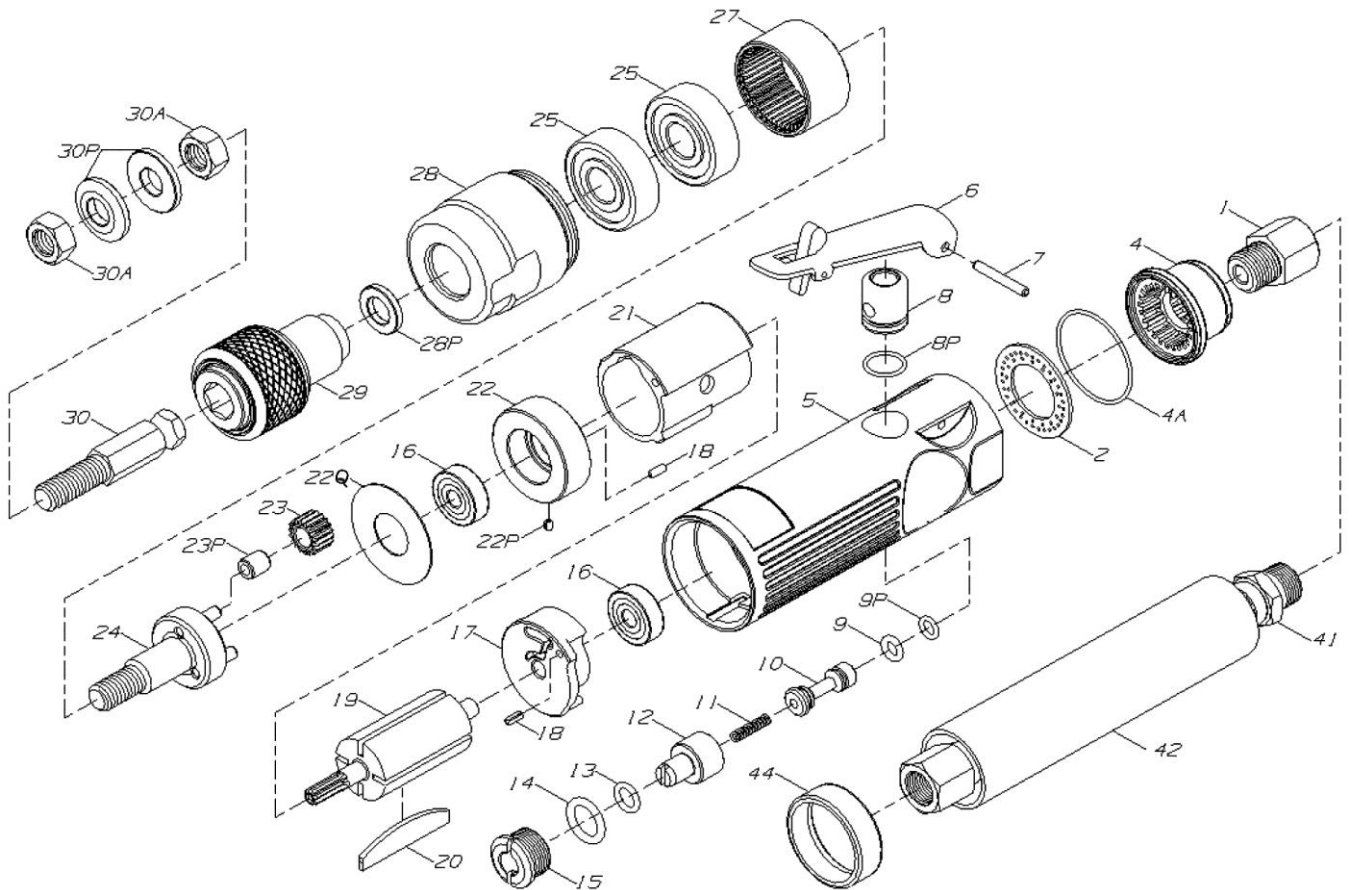


# 7/16" HEX. HEAVY DUTY AIR TIRE BUFFER



860

INDEX NO.	DESCRIPTION	REQ'D NO.	INDEX NO.	DESCRIPTION	REQ'D NO.
01	Inlet Bushing	1	18	Pin	2
02	Exhaust Washer	1	19	Rotor	1
04-1	Exhaust Deflector(Standard)	1	20	Rotor Blade	4
04-2	Exhaust Deflector(Optional)(For 860-HO)	1	21	Cylinder(P.M)(Standard)	1
04A	O-Ring(Optional)(For 860-HO)	1		Cylinder(STEEL)(Option)	
05	Motor Housing(Standard)	1	22	Front End Plate	1
	Motor Housing(Optional)(For #05P)		22P	Pin	1
05P	Housing Sleeve(Optional)	1	22Q	Washer	1
06	Throttle Lever(Standard)	1	23	Idler Gear	3
	Safety Lever(Optional)		23P	Bushing	3
07	Lever Pin	1	24	Idler Gear Plate	1
08	Valve Bushing	1	25	Ball Bearing	2
08P	O-Ring	1	27	Ring Gear	1
09	O-Ring	1	28	Gear Cap	1
09P	O-Ring	1	28P	Washer	1
10	Throttle Valve	1	29	Quick Chuck	1
11	Spring	1	30	Adaptor	1
12	Air Regulator	1	30A	Nut(Optional)	1
13	O-Ring	1	30P	Washer(Optional)	1
14	O-Ring	1	41	Inlet Hose(Optional)(For 860-HO)	1
15	Valve Screw	1	42	Exhaust Hose(Optional)(For 860-HO)	1
16	Ball Bearing	2	44	Hose Locker(Optional)(For 860-HO)	1
17	Rear End Plate	1			

2006.04.01

2006.10.18 2011.10.17