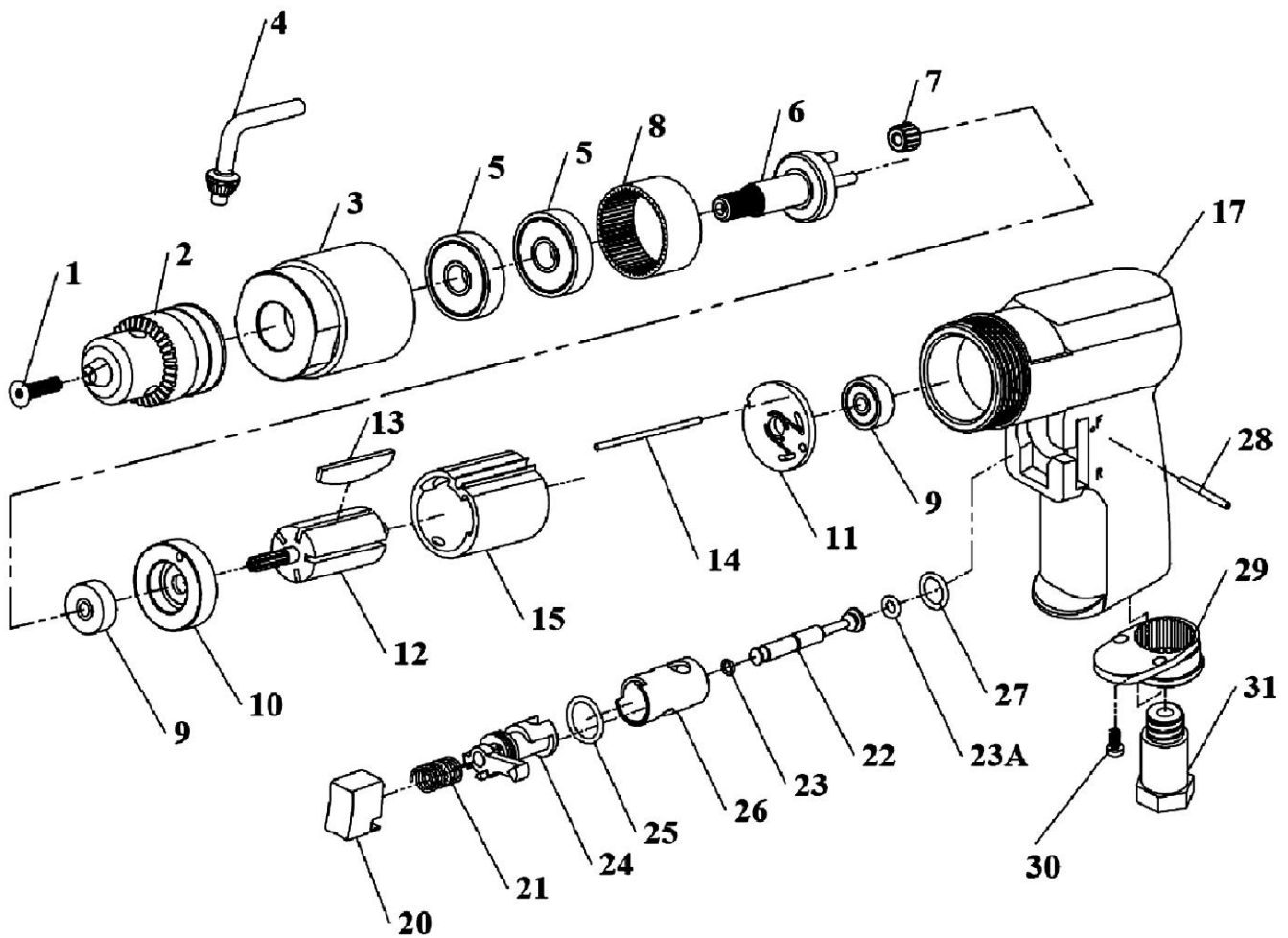


# 3/8" HEAVY DUTY REVERSIBLE AIR DRILL



863

INDEX NO.	DESCRIPTION	REQ'D NO.	INDEX NO.	DESCRIPTION	REQ'D NO.
01	Screw	1	17	Motor Housing	1
02	Drill Chuck	1	20	Trigger	1
03	Gear Housing	1	21	Vave Spring	1
04	Key	1	22	Throttle Valve	1
05	Ball Bearing	2	23	O-Ring	1
06	Planet Carrier	1	23A	O-Ring	1
07	Planet Gear	3	24	Reverse Lever	1
08	Internal Gear	1	25	O-Ring	1
09	Ball Bearing	2	26	Reverse Bushing	1
10	Bearing Case	1	27	O-Ring	1
11	End Plate	1	28	Pin	1
12	Rotor	1	29	Exhaust Deflector	1
13	Rotor Blade	5	30	Screw	2
14	Motor Pin	1	31	Air Inlet	1
15	Cylinder	1			

0000.00.00

2010.08.21 2014.10.21