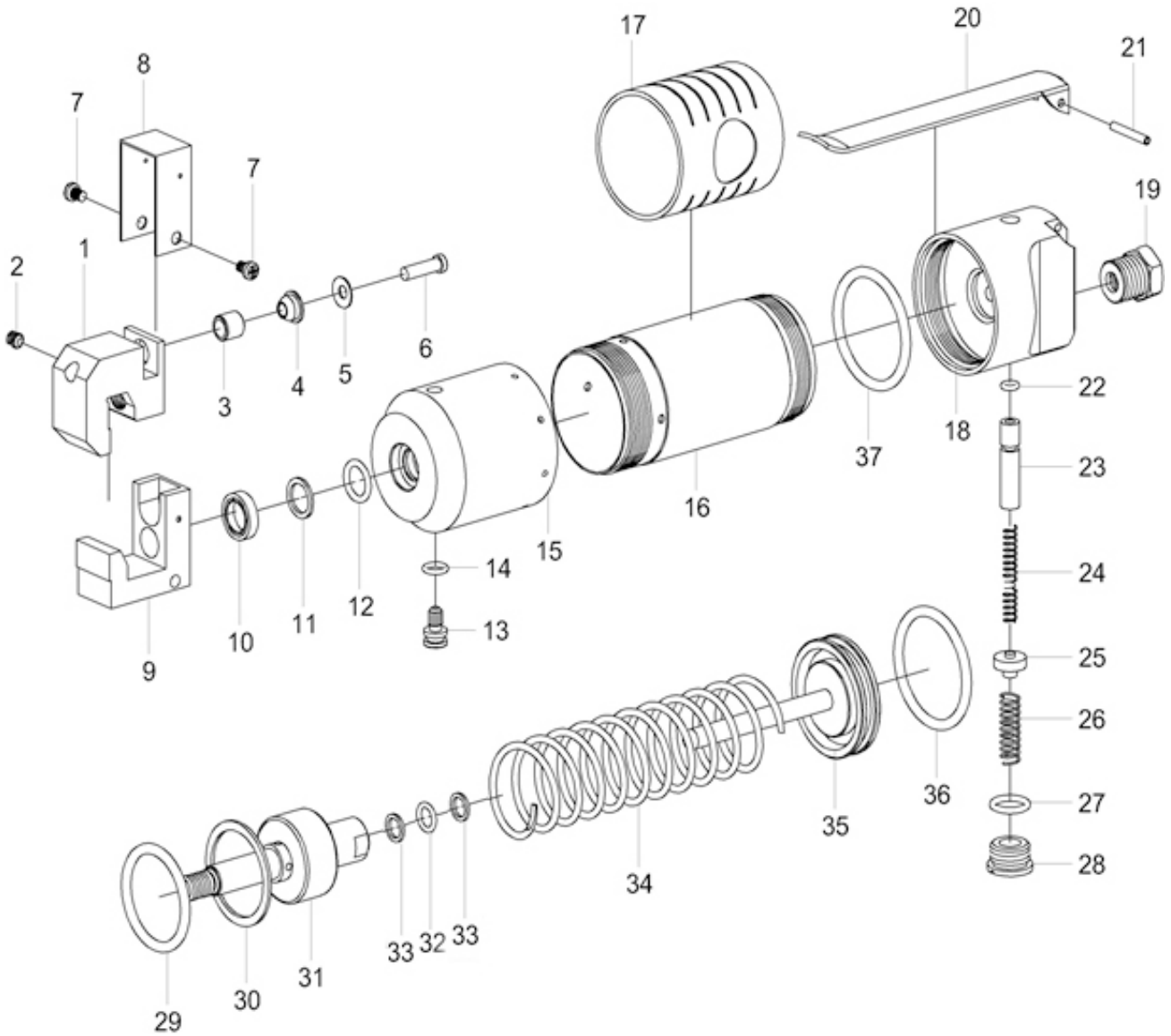


# 2 IN 1 HEAVY DUTY AIR PUNCH & FLANGE TOOL



4110

INDEX NO.	DESCRIPTION	REQ'D NO.	INDEX NO.	DESCRIPTION	REQ'D NO.
01	Clamp	1	20	Throttle Lever	1
02	Set Screw	1	21	Spring Pin	1
03	Punch Die	1	22	O-Ring	1
04	Guide Bushing	1	23	Push Rod	1
05	Cup Spring	13	24	Spring	1
06	Punch	1	25	Valve	1
07	Screw	2	26	Spring	1
08	Cover Plate	1	27	O-Ring	1
09	Anvil	1	28	Screw	1
10	Oil Seal	1	29	O-Ring	1
11	Support Ring	1	30	Support Ring	1
12	O-Ring	1	31	Hydraulic Piston	1
13	Oil Plug	1	32	O-Ring	1
14	O-Ring	1	33	Support Ring	2
15	Hydraulic Cylinder	1	34	Spring	1
16	Air Cylinder	1	35	Piston	1
17	Plastic Wrapped	1	36	O-Ring	1
18	Valve Body	1	37	O-Ring	1
19	Air Inlet	1			

0000.00.00

2014.08.11 2015.07.03