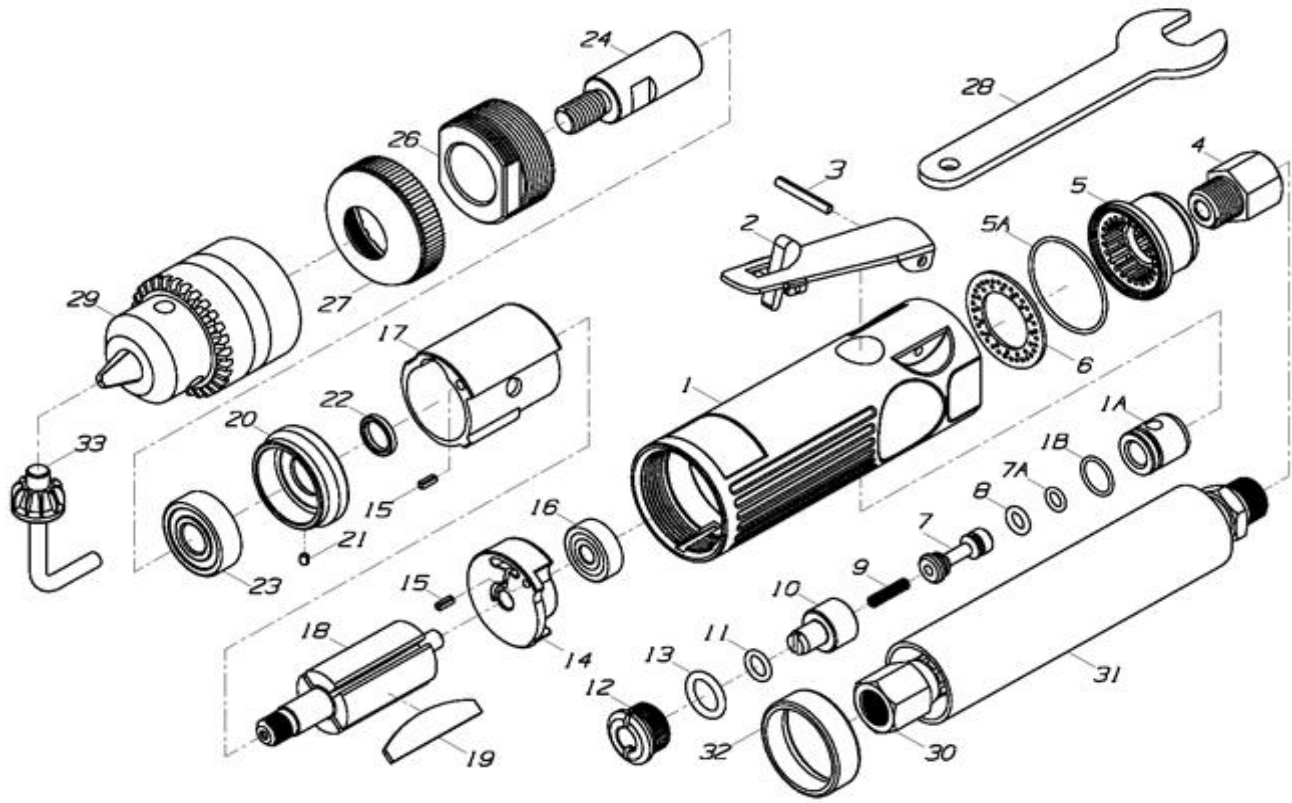


3/8" HEAVY DUTY HIGH SPEED AIR TIRE BUFFER



4401

INDEX NO.	DESCRIPTION	REQ'D NO.	INDEX NO.	DESCRIPTION	REQ'D NO.
01	Motor Housing	1	15	Pin	2
01A	Valve Bushing	1	16	Ball Bearing	1
01B	O-Ring	1	17	Cylinder (P.M)(Standard) Cylinder (STEEL)(Option)	1
02	Throttle Lever (Standard) Safety Throttle Lever (Option)	1	18	Rotor	1
03	Lever Pin	1	19	Rotor Blade	4
04	Inlet Bushing	1	20	Front Plate	1
05	Exhaust Deflector Exhaust Deflector (Option)(For 4401-HO)	1	21	Pin	1
05A	O-Ring (Option)(For 4401-HO)	1	22	Bearing Spacer	1
06	Exhaust Washer	1	23	Ball Bearing	1
07	Valve Stem	1	24	Motor Spindle	1
07A	O-Ring	1	26	Retainer	1
08	O-Ring	1	27	Housing Cap	1
09	Spring	1	28	Wrench	1
10	Air Regulator	1	29	3/8"Chuck	1
11	O-Ring	1	30	Inlet Hose (Option)(For 4401-HO)	1
12	Valve Screw	1	31	Exhaust Hose (Option)(For 4401-HO)	1
13	O-Ring	1	32	Hose Locker (Option)(For 4401-HO)	1
14	Rear Plate	1	33	3/8"Chuck Key	1

0000.00.00

2011.07.01 2013.07.23