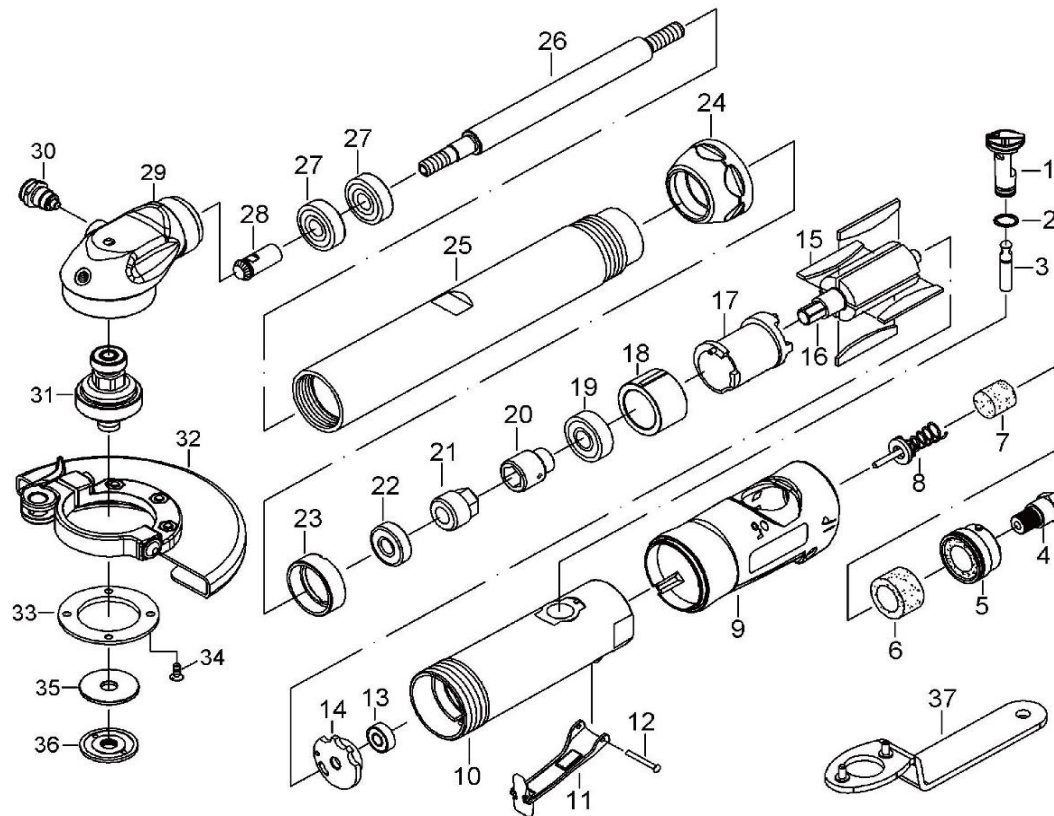


4" HEAVY DUTY AIR CORNER CUT OFF TOOL



4413

| INDEX NO. | DESCRIPTION | REQ'D NO. | INDEX NO. | DESCRIPTION | REQ'D NO. |
|-----------|-------------------|-----------|-----------|------------------------------|-----------|
| 01 | Regulator Set | 1 | 20 | Coupling | 1 |
| 02 | Snap Ring | 1 | 21 | Coupling Nut | 1 |
| 03 | Valve Stem Set | 1 | 22 | Bearing | 1 |
| 04 | Air Inlet | 1 | 23 | Nut | 1 |
| 05 | Muffler Set | 1 | 24 | Clamp Nut | 1 |
| 06 | Silencer | 1 | 25 | Spindle Housing | 1 |
| 07 | Silencer | 2 | 26 | Spindle | 1 |
| 08 | Valve Set | 1 | 27 | Bearing | 2 |
| 09 | Protecting Rubber | 1 | 28 | Pinion Gear | 1 |
| 10 | Housing | 1 | 29 | Angle Housing Set | 1 |
| 11 | Safety Throttle | 1 | 30 | Spindle Lock Set | 1 |
| 12 | Spring Pin | 1 | 31 | Shaft Set | 1 |
| 13 | Bearing | 1 | 32 | 4" Disc Cover Set | 1 |
| 14 | Rear Plate | 1 | 33 | Face Plate | 1 |
| 15 | Rotor Blade | 4 | 34 | Screw | 4 |
| 16 | Rotor | 1 | 35 | Washer (For Arbor Hole 3/8") | 1 |
| 17 | Cylinder Set | 1 | 35 | Washer (For Arbor Hole 5/8") | 1 |
| 18 | Front Plate | 1 | 36 | Disc Nut | 1 |
| 19 | Bearing | 1 | 37 | Wrench | 1 |

0000.00.00

2019.07.09 2021.03.04