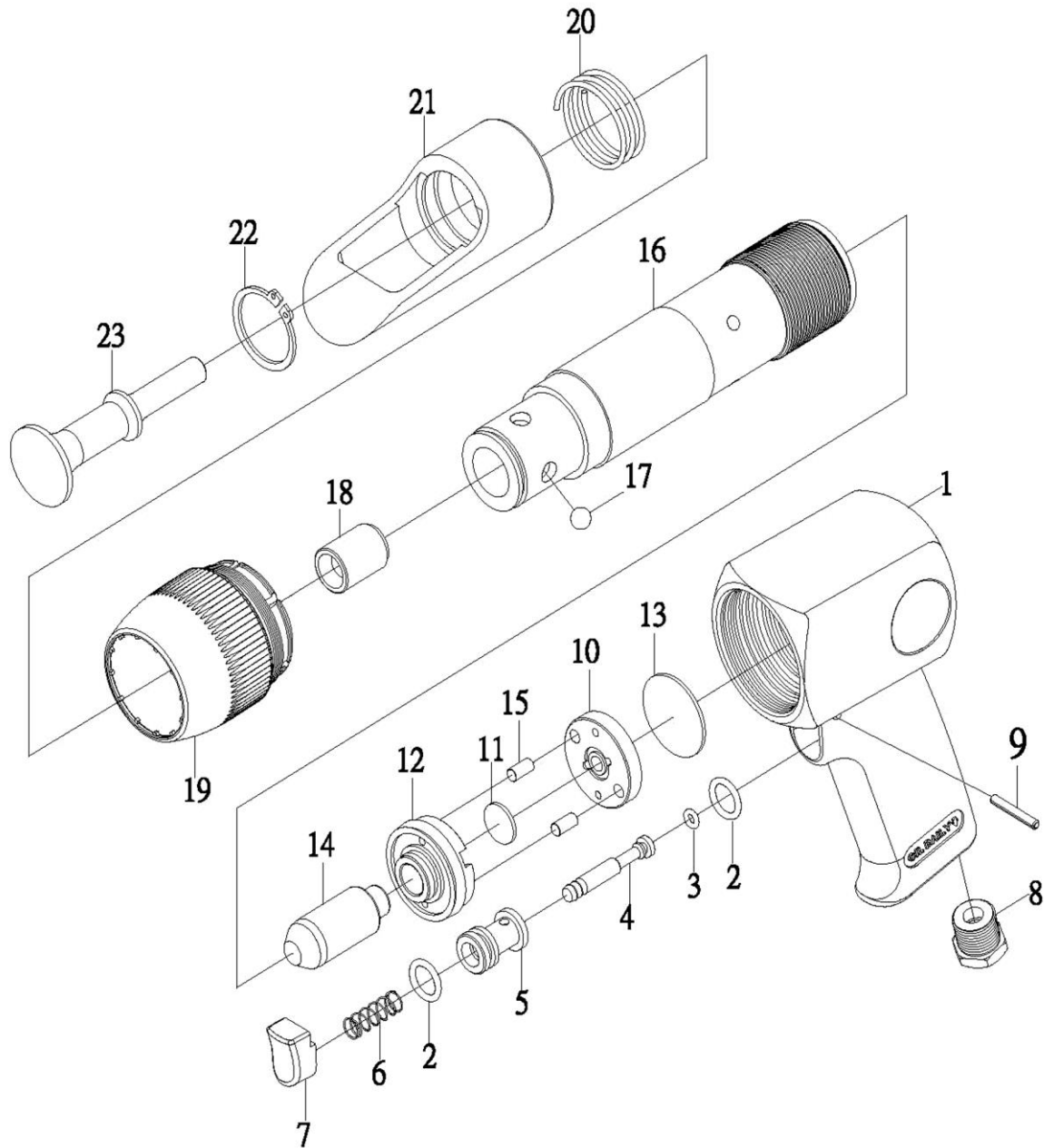


# HEAVY DUTY VIBRATION-DAMPED AIR HAMMER



4711-PH

INDEX NO.	DESCRIPTION	REQ'D NO.	INDEX NO.	DESCRIPTION	REQ'D NO.
01	Handle	1	13	Alignment Shim	1
02	O-Ring	2	14	Piston(Short)	1
03	O-Ring	1	15	Valve Block Dowel Pin	2
04	Throttle Valve	1	16	Cylinder(Short)	1
05	Bushing-Valve	1	17	Ball-Steel	4
06	Spring-Valve	1	18	Bushing-Cylinder Round	1
07	Button-Throttle	1	19	Exhaust Cover	1
08	Air Inlet Bushing	1	20	Spring-Compression	1
09	Spring Pin	1	21	Guide	1
10	Lid-Valve	1	22	Snap Ring	1
11	Disc-Valve	1	23	Anvil	1
12	Case-Valve	1			

0000.00.00

2013.05.23 2013.10.28