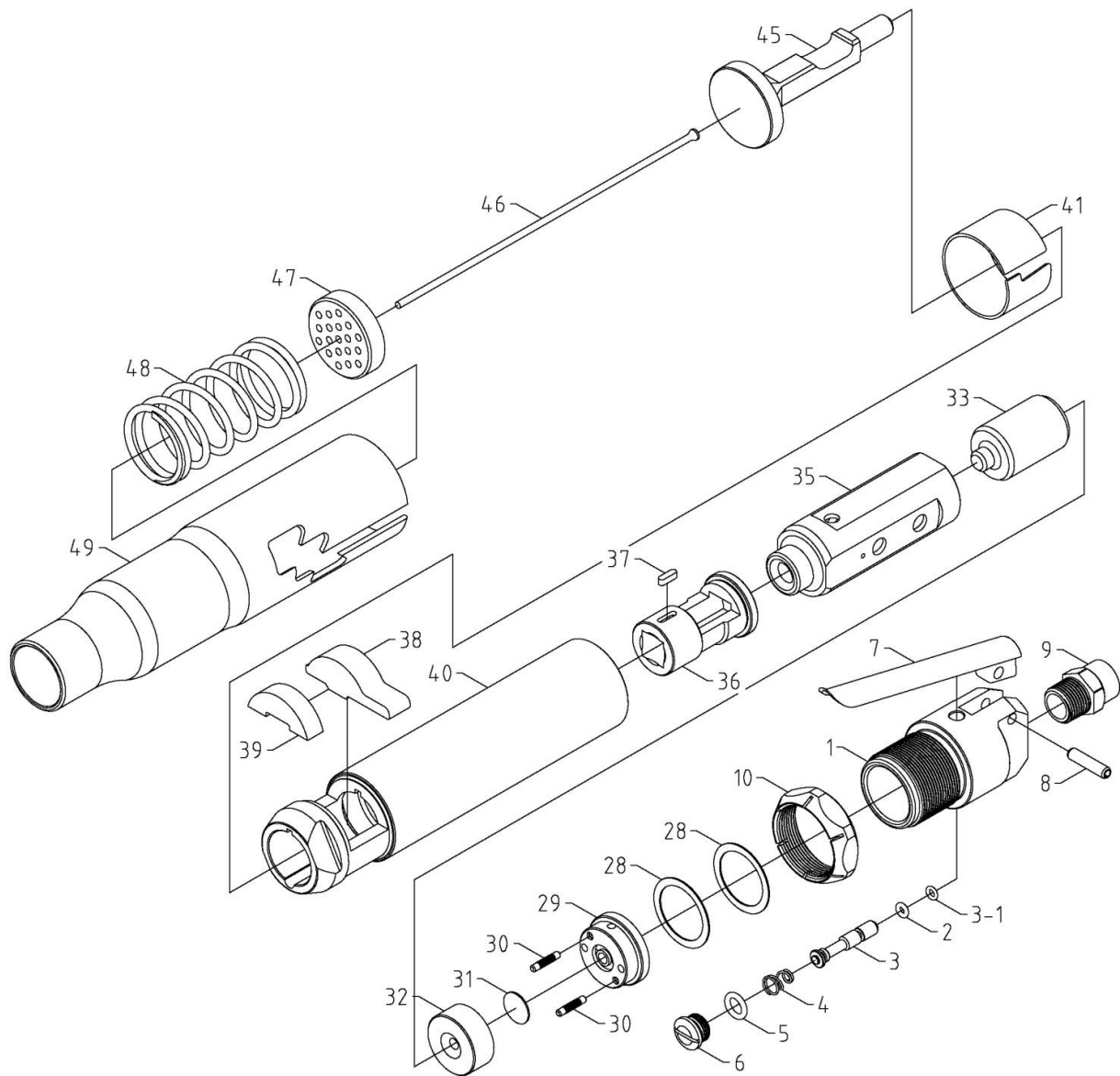


HEAVY DUTY AIR NEEDLE SCALER



4713

INDEX NO.	DESCRIPTION	REQ'D NO.	INDEX NO.	DESCRIPTION	REQ'D NO.
01	Backhead	1	32	Lower Valve Case	1
02	O-Ring	1	33	Piston	1
03	Valve Stem	1	35	Piston Sleeve	1
03-1	O-Ring	1	36	Nose	1
04	Valve Spring	1	37	Key	1
05	O-Ring	1	38	Retainer	1
06	Valve Cap	1	39	Retainer Buffer	1
07	Lever	1	40	Barrel	1
08	Spring Pin	1	41	Retainer Clip	1
09	Inlet Bushing	1	45	Driver	1
10	Lock Ring	1	46	Needle (\emptyset 3×180L)	19
28	Washer	2	47	Needle Holder (\emptyset 3×19 Holes)	1
29	Upper Valve Case	1	48	Compression Spring	1
30	Dowel Pin	2	49	Front Tube	1
31	Valve Disc	1			

0000.00.00

2010.08.23 2019.07.12