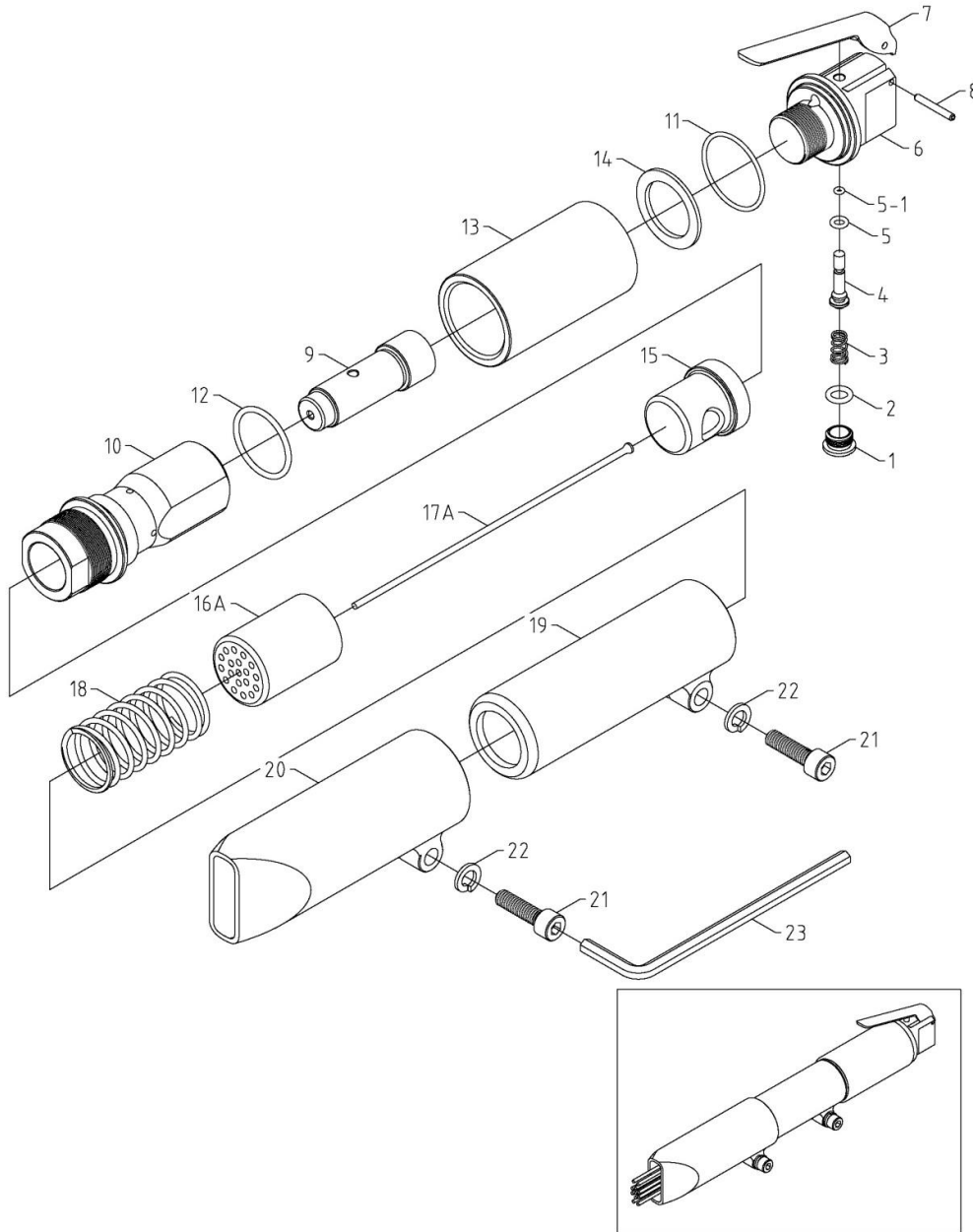


HEAVY DUTY AIR NEEDLE SCALER



4716

INDEX NO.	DESCRIPTION	REQ'D NO.	INDEX NO.	DESCRIPTION	REQ'D NO.
01	Valve Cap	1	13	Cylinder Sleeve	1
02	O-Ring	1	14	Washer	1
03	Valve Spring	1	15	Needle Driver	1
04	Valve Stem	1	16A	Needle Holder (Ø 3×19 Holes)	1
05	O-Ring	1	16B	Needle Holder (Ø 2×29 Holes) (Option)	1
05-1	O-Ring	1	17A	Needle (Ø 3×180L)	19
06	Backhead	1	17B	Needle (Ø 2×180L) (Option)	29
07	Lever	1	18	Compression Spring	1
08	Spring Pin	1	19	Intermediate Tube	1
09	Piston	1	20	Front Tube	1
10	Cylinder	1	21	Cap Head Screw	2
11	O-Ring	1	22	Spring Washer	2
12	O-Ring	1	23	Hex. Wrench (6mm)	1

0000.00.00

2013.05.23 2019.07.17