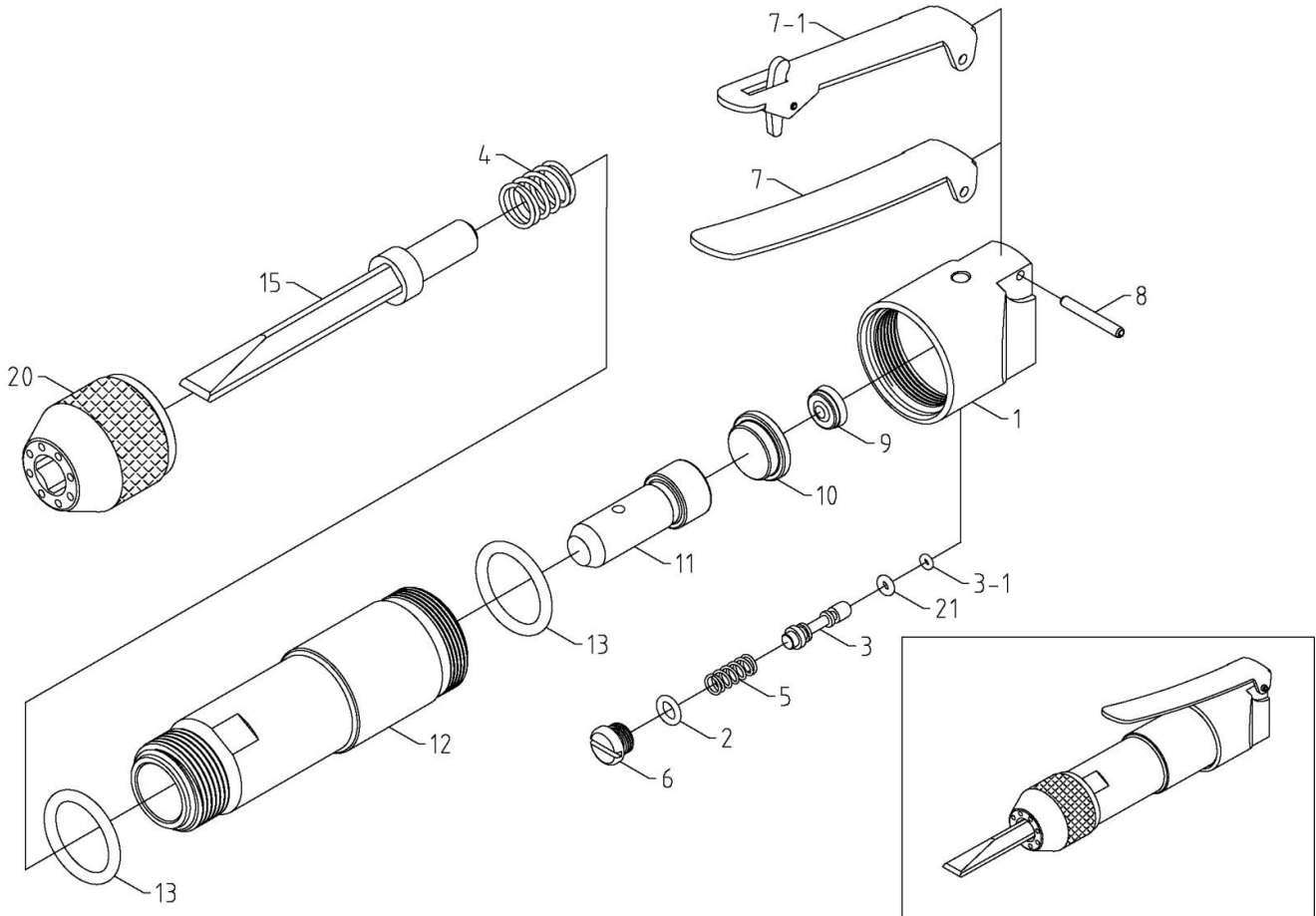


HEAVY DUTY AIR FLUX CHIPPER



4718

INDEX NO.	DESCRIPTION	REQ'D NO.	INDEX NO.	DESCRIPTION	REQ'D NO.
01	Backhead	1	09	Bumper	1
02	O-Ring	1	10	Cylinder Cap	1
03	Valve Stem	1	11	Piston	1
03-1	O-Ring	1	12	Cylinder	1
04	Compression Spring	1	13	O-Ring	2
05	Valve Spring	1	14	Driver	1
06	Valve Cap	1	15	Chisel (Flat, 12mm)	1
07	Lever	1	20	Chisel Holder	1
07-1	Locking Lever (Option)		21	O-Ring	1
08	Spring Pin	1			

0000.00.00

2019.01.04 2019.07.02