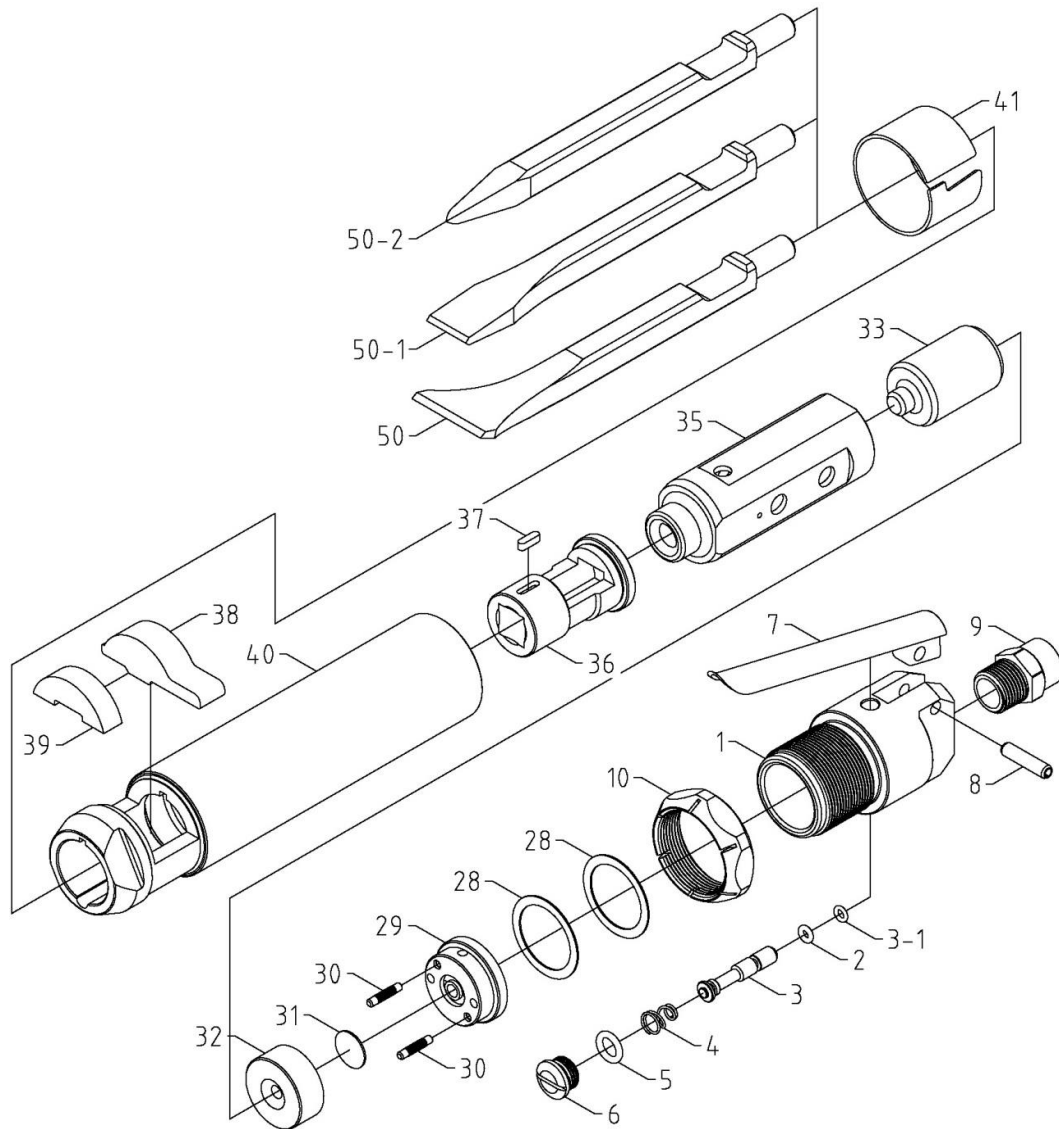


HEAVY DUTY AIR FLUX CHIPPER



4719

INDEX NO.	DESCRIPTION	REQ'D NO.	INDEX NO.	DESCRIPTION	REQ'D NO.
01	Backhead	1	31	Valve Disc	1
02	O-Ring	1	32	Low Valve Case	1
03	Valve Stem	1	33	Piston	1
03-1	O-Ring	1	35	Piston Sleeve	1
04	Valve Spring	1	36	Nose	1
05	O-Ring	1	37	Key	1
06	Valve Cap	1	38	Retainer	1
07	Lever	1	39	Retainer Buffer	1
08	Spring Pin	1	40	Barrel	1
09	Inlet Bushing	1	41	Retainer Clip	1
10	Lock Ring	1	50	Chisel (Bent,35mm)	1
28	Washer	2	50-1	Chisel (Flat,20mm) (Option)	1
29	Upper Valve Case	1	50-2	Chisel (Moil Point) (Option)	1
30	Dowel Pin	2			

0000.00.00

2010.08.23 2019.07.12