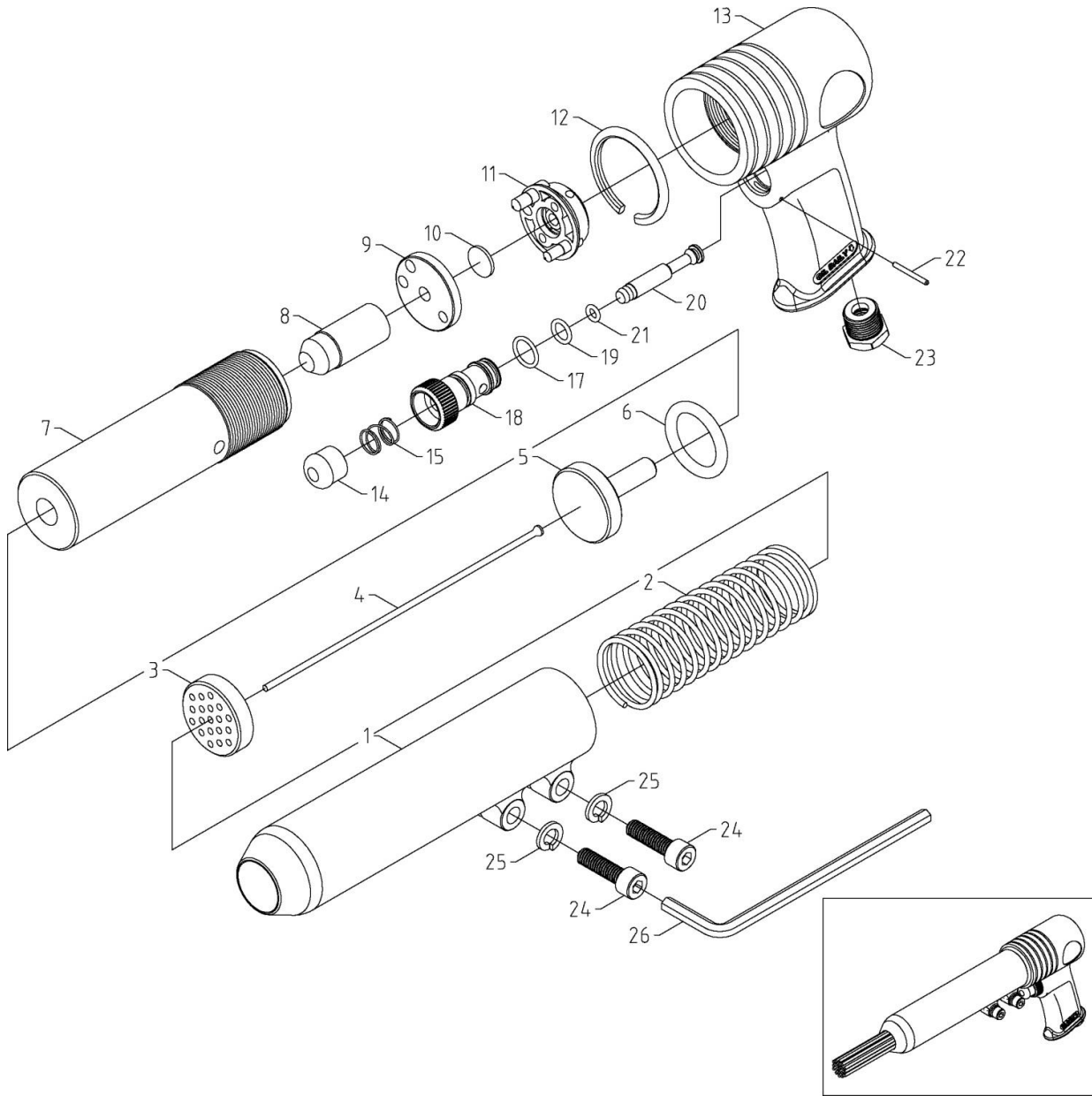


GENERAL DUTY AIR NEEDLE SCALER



4789-X2N

INDEX NO.	DESCRIPTION	REQ'D NO.	INDEX NO.	DESCRIPTION	REQ'D NO.
01	Front Tube	1	14	Button	1
02	Compression Spring	1	15	Valve Spring	1
03	3mm Needle Holder (Ø 3×19 HOLES)	1	17	O-Ring	1
04	3mm Needle (Ø 3×180L)	19	18	Valve Bushing	1
05	Driver (R)	1	19	O-Ring	1
06	O-Ring	1	20	Valve Stem	1
07	Cylinder	1	21	O-Ring	1
08	Piston	1	22	Spring Pin	1
09	Lower Valve Case	1	23	Inlet Bushing	1
10	Valve Disc	1	24	Cap Head Screw	2
11	Upper Valve Case	1	25	Spring Washer	2
12	Washer	1	26	Hex. Wrench (6mm)	1
13	Handle	1			

0000.00.00

2017.07.04 2019.07.01