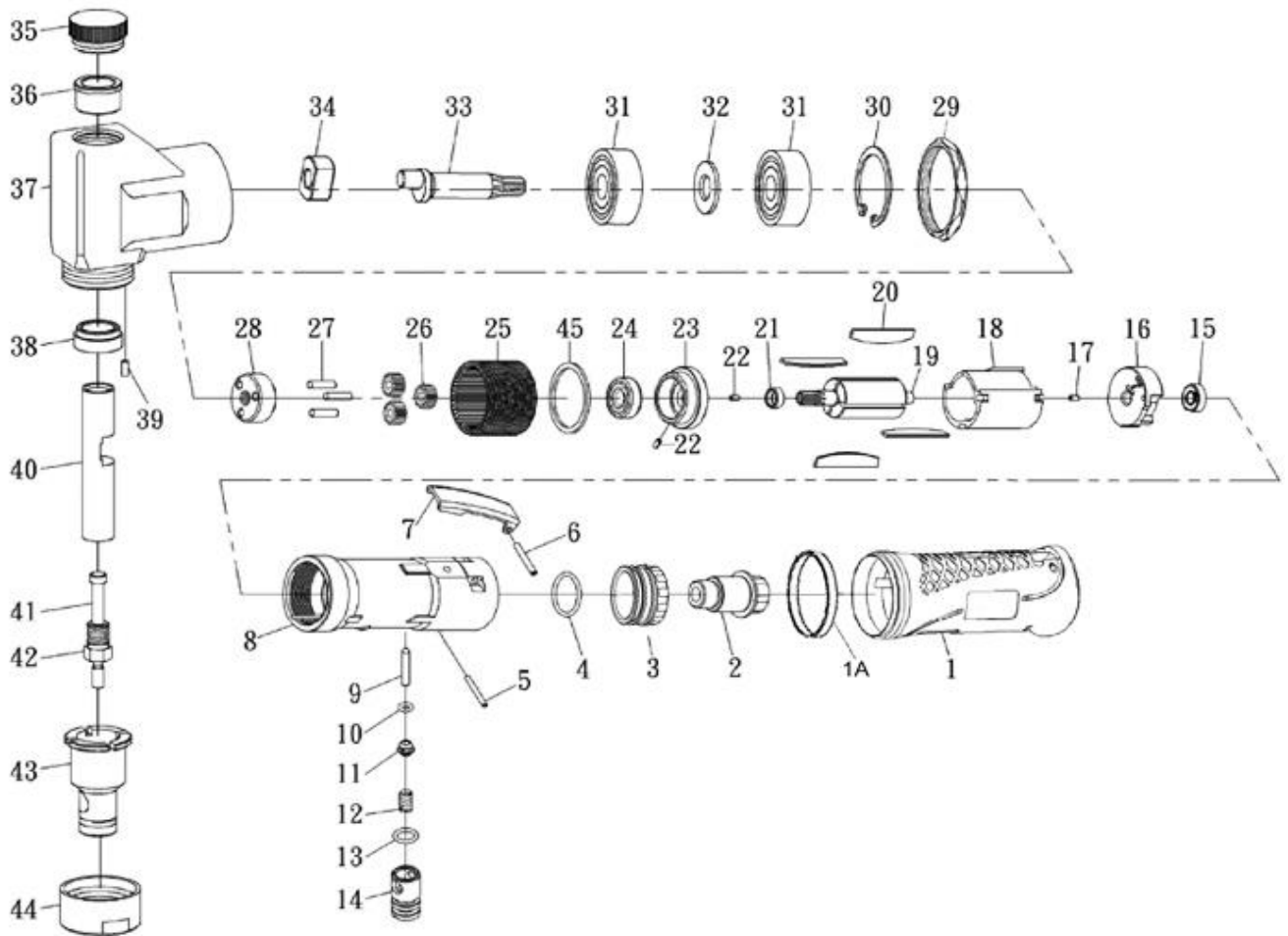


HEAVY DUTY AIR NIBBLER



4808-A

INDEX NO.	DESCRIPTION	REQ'D NO.	INDEX NO.	DESCRIPTION	REQ'D NO.
01	Housing Cover	1	23	Front End Plate	1
01A	Rubber Band	1	24	Ball Bearing	1
02	Air Inlet Bushing	1	25	Internal Gear	1
03	Exhaust Sleeve	1	26	Idler Gear	3
04	O-Ring	1	27	Idler Gear Pin	3
05	Spring Pin	1	28	Idler Spindle	1
06	Spring Pin	1	29	Nut	1
07	Throttle Lever	1	30	Snap Ring	1
08	Motor Housing	1	31	Ball Bearing	2
09	Valve Shaft	1	32	Washer	1
10	O-Ring	1	33	Shaft	1
11	Throttle Valve	1	34	Drive Bushing	1
12	Valve Spring	1	35	Plug	1
13	O-Ring	1	36	Pushing Rod Bushing	1
14	Valve Screw	1	37	Nibbler Head	1
15	Ball Bearing	1	38	Pushing Rod Bushing	1
16	Rear End Plate	1	39	Pin	1
17	Spring Pin	1	40	Pushing Rod	1
18	Cylinder	1	41	Cutter	1
19	Rotor	1	42	Screw	1
20	Rotor Blade	4	43	Dies	1
21	Spacer	1	44	Nut	1
22	Spring Pin	2	45	Washer	1

0000.00.00

2013.11.27 20161220