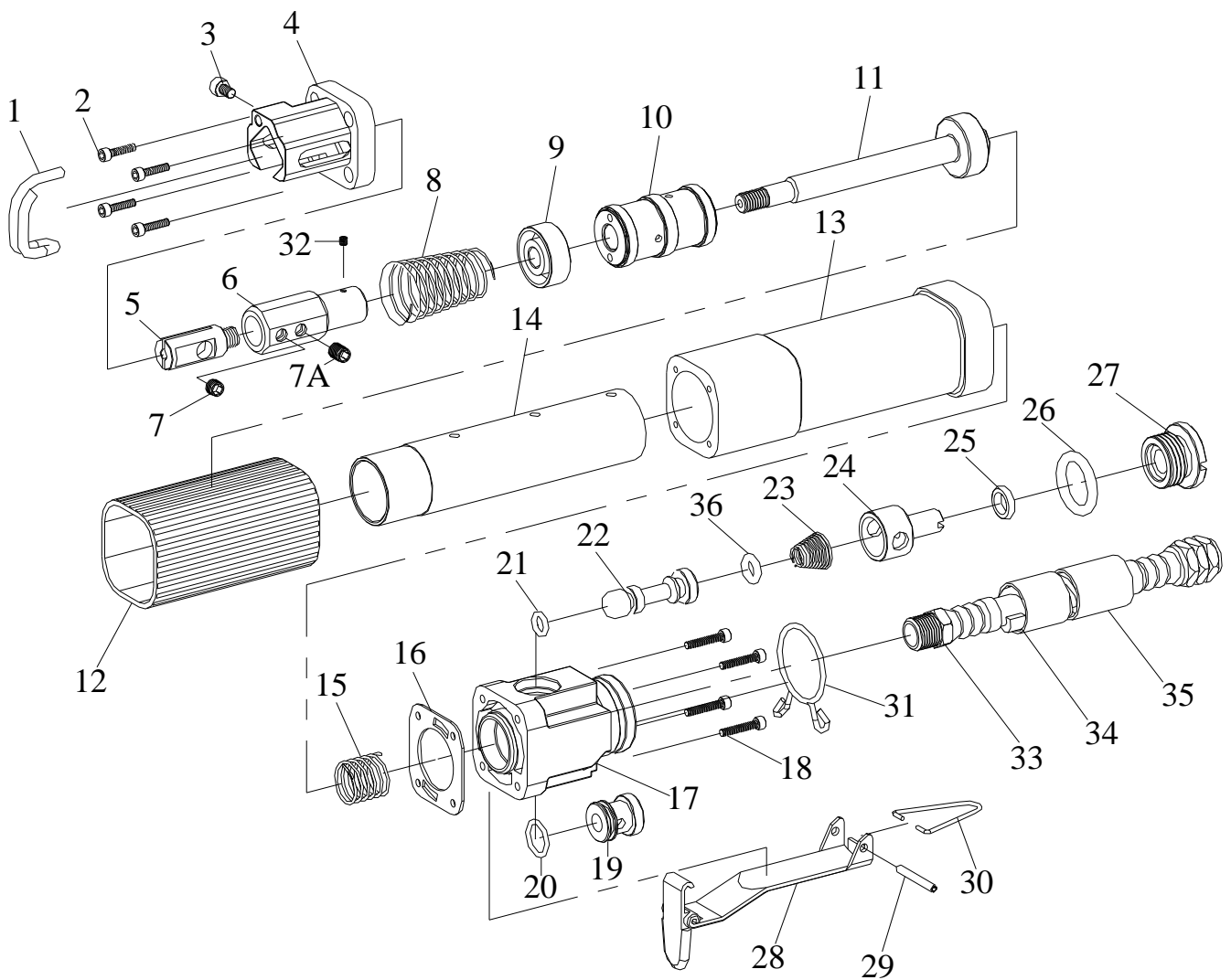


HEAVY DUTY AIR BODY SAW



4815-B

| INDEX NO. | DESCRIPTION | REQ'D NO. | INDEX NO. | DESCRIPTION | REQ'D NO. |
|-----------|------------------|-----------|-----------|------------------------|-----------|
| 01 | Work Guide | 1 | 19 | Valve Bushing | 1 |
| 02 | Screw | 4 | 20 | O-Ring | 1 |
| 03 | Set Screw | 1 | 21 | O-Ring | 1 |
| 04 | Spindle Guide | 1 | 22 | Valve Stem | 1 |
| 05 | Blade Chuck(AL) | 1 | 23 | Valve Spring | 1 |
| 06 | Spindle | 1 | 24 | Regulator | 1 |
| 07 | Screw | 1 | 25 | O-Ring | 1 |
| 07A | Screw(Long) | 1 | 26 | O-Ring | 1 |
| 08 | Spring | 1 | 27 | Valve Screw | 1 |
| 09 | Front Plate | 1 | 28 | Throttle Lever | 1 |
| 10 | Piston | 1 | 29 | Pin | 1 |
| 11 | Drive Spindle | 1 | 30 | Hanger | 1 |
| 12 | Rubber Protector | 1 | 31 | Stop Ring | 1 |
| 13 | Body | 1 | 32 | Set Screw | 1 |
| 14 | Cylinder | 1 | 33 | Air Hose Assembly 1/4" | 1 |
| 15 | Spring | 1 | 34 | Sponge | 1 |
| 16 | Gasket | 1 | 35 | Exhaust Hose | 1 |
| 17 | Valve Body | 1 | 36 | O-Ring | 1 |
| 18 | Screw | 4 | | | |