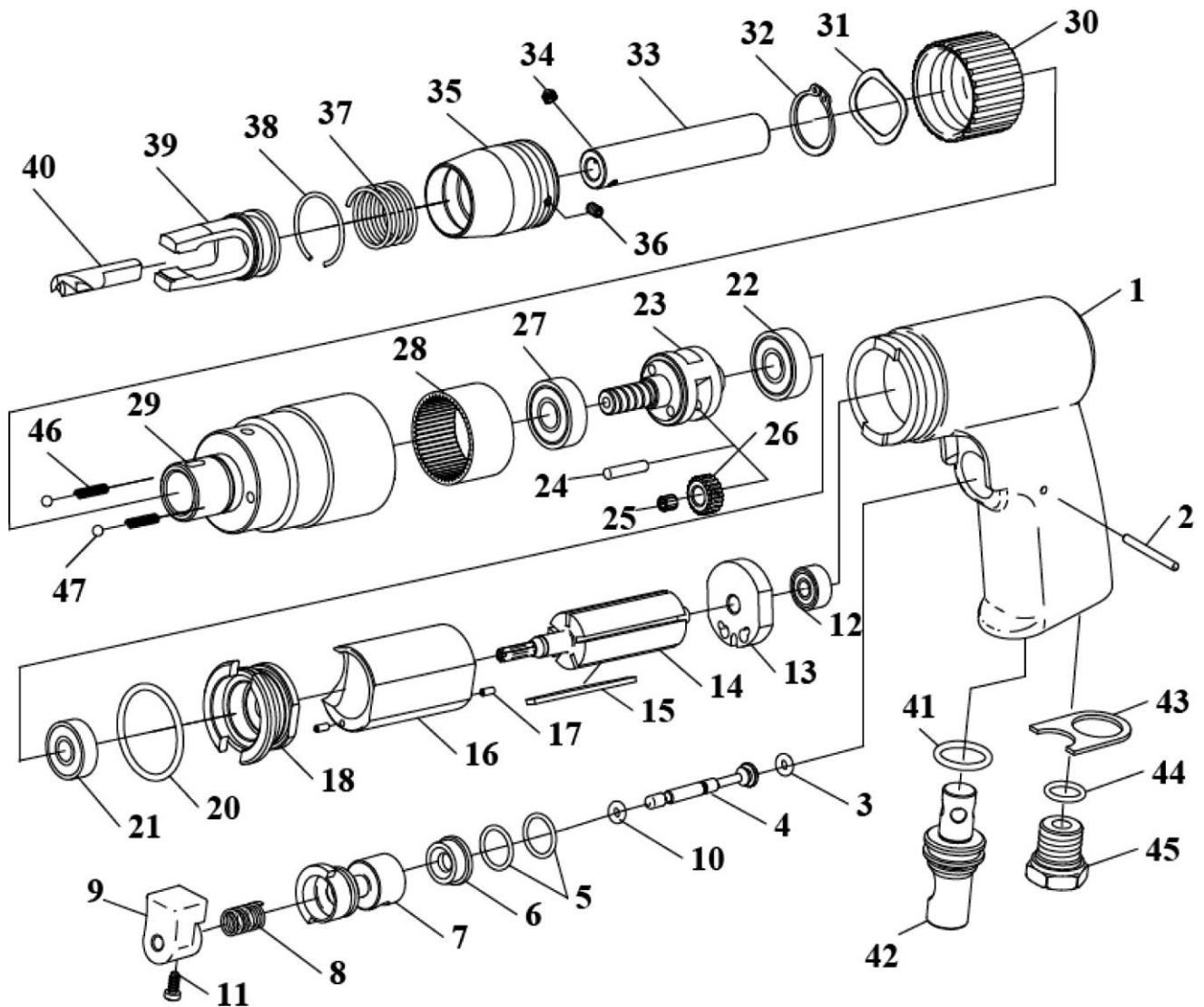


HEAVY DUTY AIR SPOT DRILL



5003

INDEX NO.	DESCRIPTION	REQ'D NO.	INDEX NO.	DESCRIPTION	REQ'D NO.
01	Housing	1	25	4m/m Needle Roller	2
02	Pin	1	26	Gear	2
03	O-Ring	1	27	Ball Bearing	1
04	Valve Stem	1	28	Internal Gear	1
05	O-Ring	2	29	Gear Housing	1
06	Valve Cap	1	30	Nut	1
07	Valve Bushing	1	31	Wave Washer	1
08	Spring	1	32	Retaining Ring	1
09	Trigger	1	33	Bit Holder	1
10	O-Ring	1	34	Set Screw	1
11	Set Screw	1	35	Adj. Attachment	1
12	Ball Bearing	1	36	Set Screw	1
13	Rear End Plate	1	37	Spring	1
14	Rotor	1	38	Retainer	1
15	Rotor Blades	5	39	Support	1
16	Cylinder	1	40	Drill Bit(6.5mm)	1
17	Pin	2	41	O-Ring	1
18	Front End Plate	1	42	Muffler	1
20	O-Ring	1	43	Muffler Retainer	1
21	Ball Bearing	1	44	O-Ring	1
22	Ball Bearing	1	45	Throttle Valve Plug	1
23	Gear Cage	1	46	Spring	2
24	Pin	2	47	Ball	2

0000.00.00

2007.03.09 2012.11.01