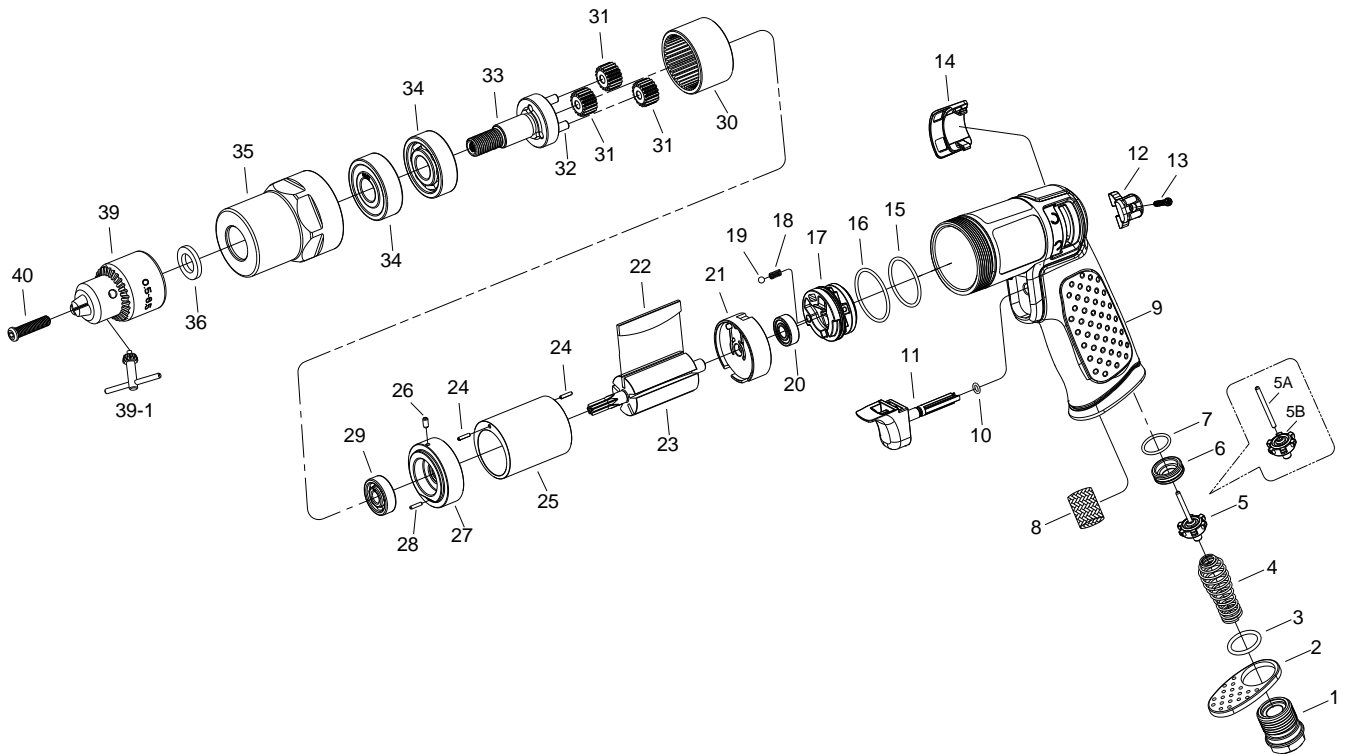


1/4" HEAVY DUTY MINI AIR DRILL



5202

INDEX NO.	DESCRIPTION	REQ'D NO.	INDEX NO.	DESCRIPTION	REQ'D NO.
1	Air Inlet	1	20	Ball Bearing	1
2	Exhaust Deflector	1	21	Rear End Plate	1
3	O-Ring	1	22	Rotor Blade	5
4	Spring	1	23	Rotor	1
★ 5	Throttle Valve Assembly (incl. 5A.5B)	1	24	Spring Pin	2
● 5A	Throttle Valve Pin	1	25	Cylinder	1
● 5B	Throttle Valve	1	26	Spring Pin	1
6	Throttle Valve Seat	1	27	Front End Plate	1
7	O-Ring	1	28	Pin	1
8	Muffler Element	1	29	Ball Bearing	1
9	Motor Houshing	1	30	Ring Gear	1
10	O-Ring	1	31	Planet Gear	3
11	Trigger	1	32	Pin	3
12	Reverse knob	1	33	Work Spindle	1
13	Screw	1	34	Ball Bearing	2
14	Reverse Plate	1	35	Clutch Housing	1
15	O-Ring	1	36	Washer	1
16	O-Ring	1	★ 39	3/8" Chuck Assembly(incl. 39-1)	1
17	Reverse Valve	1	● 39-1	Chuck Key	1
18	Spring	1	40	Screw	1
19	Steel Ball	1	TK	Tune-Up Kit { incl.3.4.7.10.15.16.18.19.22 (5) }	

★ Must be Purchased in Assembly Set

● Recommended not to be purchased alone due to assembly difficulty

20131030R3