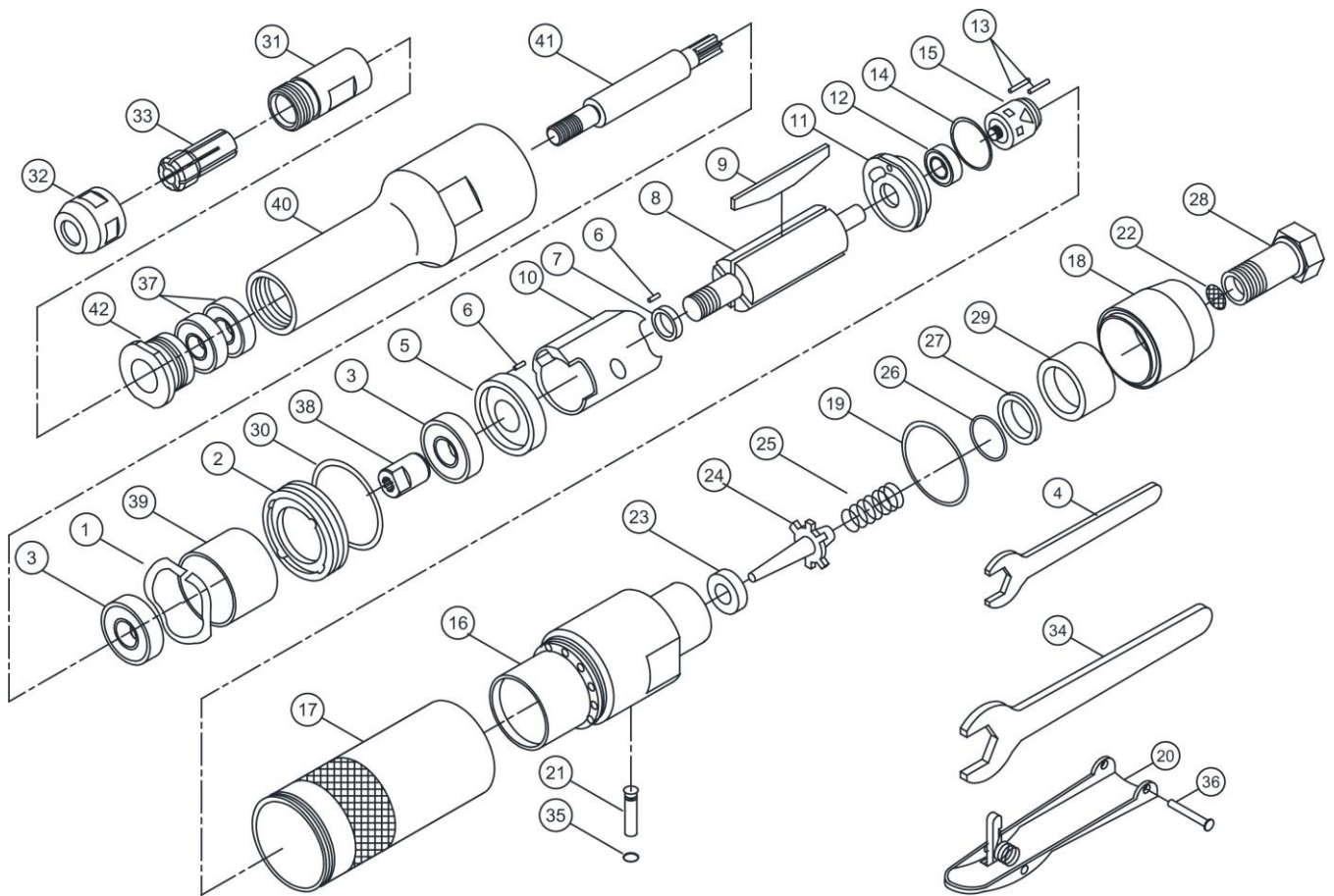


SUPER DUTY AIR DIE GRINDER W/GOVERNOR



6216A-6L

INDEX NO.	DESCRIPTION	REQ'D NO.	INDEX NO.	DESCRIPTION	REQ'D NO.
01	Wave Spring	1	22	Screens	1
02	Adapter	1	23	Valve Seat	1
03	Bearing	2	24	Tip Valve	1
04	14mm Spanner (Chuck)	1	25	Spring	1
05	Front Bearing Plate	1	26	O-Ring	1
06	Pin	2	27	Spacer	1
07	Spacer	1	28	Inlet	1
08	Rotor	1	29	Felt	1
09	Blade	4	30	O-Ring	1
10	Cylinder	1	31	Collet Holder	1
11	Rear Bearing Plate	1	32	Nut	1
12	Bearing	1	33	Collet	1
13	Pin	2	34	19mm Spanner (Cap Nut)	1
14	Gasket	1	35	O-Ring	1
15	Governor Assembly	1	36	Pin	1
16	Throttle Housing	1	37	Bearing	2
17	Housing	1	38	Coupling Insert	1
18	Rear Silencer	1	39	Spacer	1
19	O-Ring	1	40	Socket	1
20	Safety Lever Assembly	1	41	Transmission Shaft	1
21	Valve Stem	1	42	Cap	1