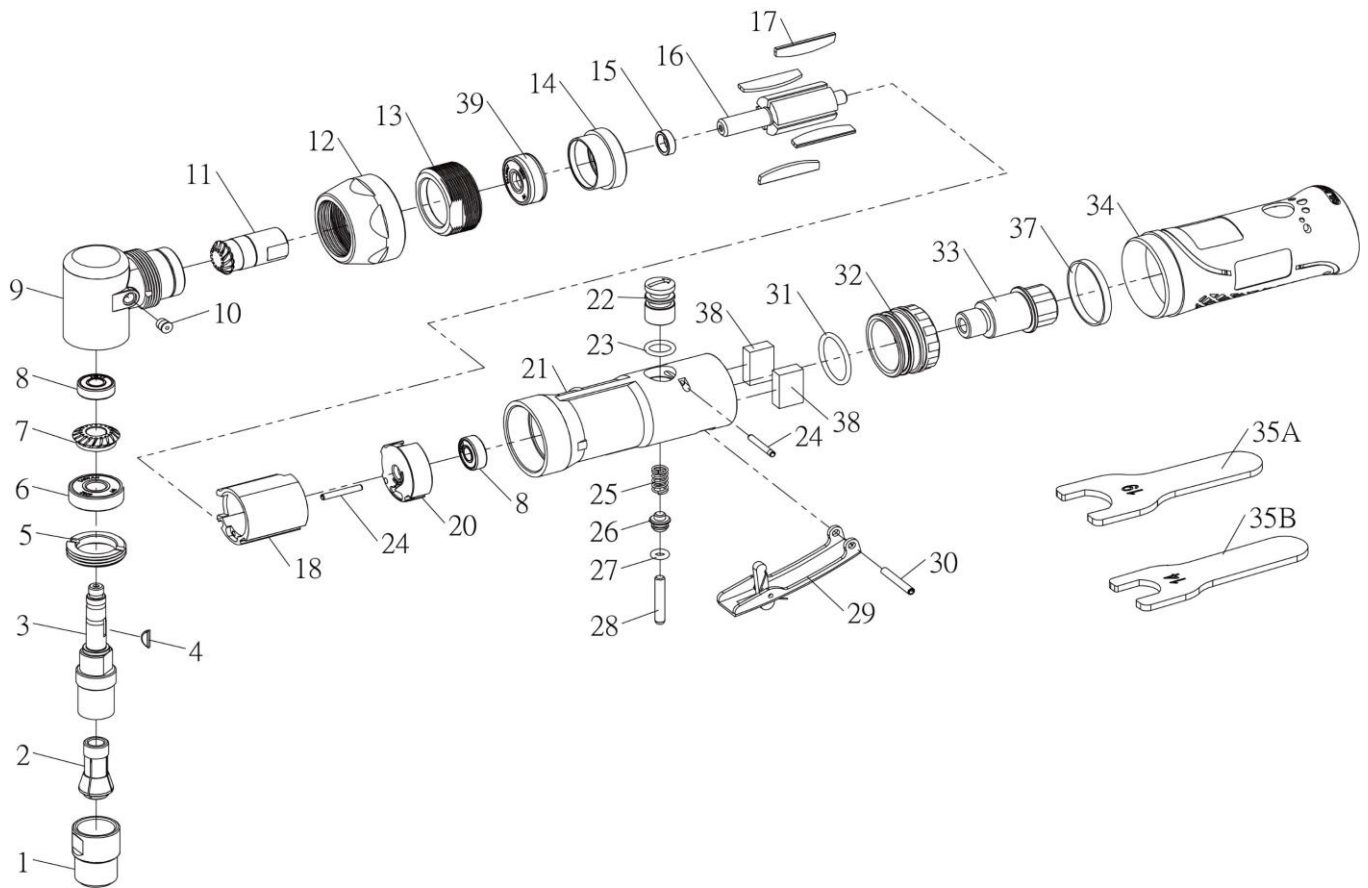


HEAVY DUTY AIR ANGLE DIE GRINDER



6241-A

INDEX NO.	DESCRIPTION	REQ'D NO.	INDEX NO.	DESCRIPTION	REQ'D NO.
01	Collet Nut	1	21	Motor Housing	1
02	1/4" Collet	1	22	Air Regulator	1
	6mm Collet		23	O-Ring	1
03	Spindle	1	24	Spring Pin	2
04	Woodruff Key	1	25	Valve Spring	1
05	Clamp Nut	1	26	Throttle Valve	1
06	Ball Bearing	1	27	O-Ring	1
07	Spindle Gear	1	28	Valve Shaft	1
08	Ball Bearing	2	29	Safety Lever	1
09	Angle Head Housing	1	30	Spring Pin	1
10	Grease Fitting	1	31	O-Ring	1
11	Pinion	1	32	Exhaust Sleeve	1
12	Coupling Nut	1	33	Inlet Bushing	1
13	Lock Ring	1	34	Housing Cover	1
14	Front End Plate	1	35A	#17mm Spanner	1
15	Bearing Spacer	1	35B	#11mm Spanner	1
16	Rotor	1	37	Rubber Band	1
17	Rotor Blade	4	38	Muffler	2
18	Cylinder	1	39	Ball Bearing	1
20	Rear End Plate	1			

0000.00.00

2016.09.21 2020.04.01