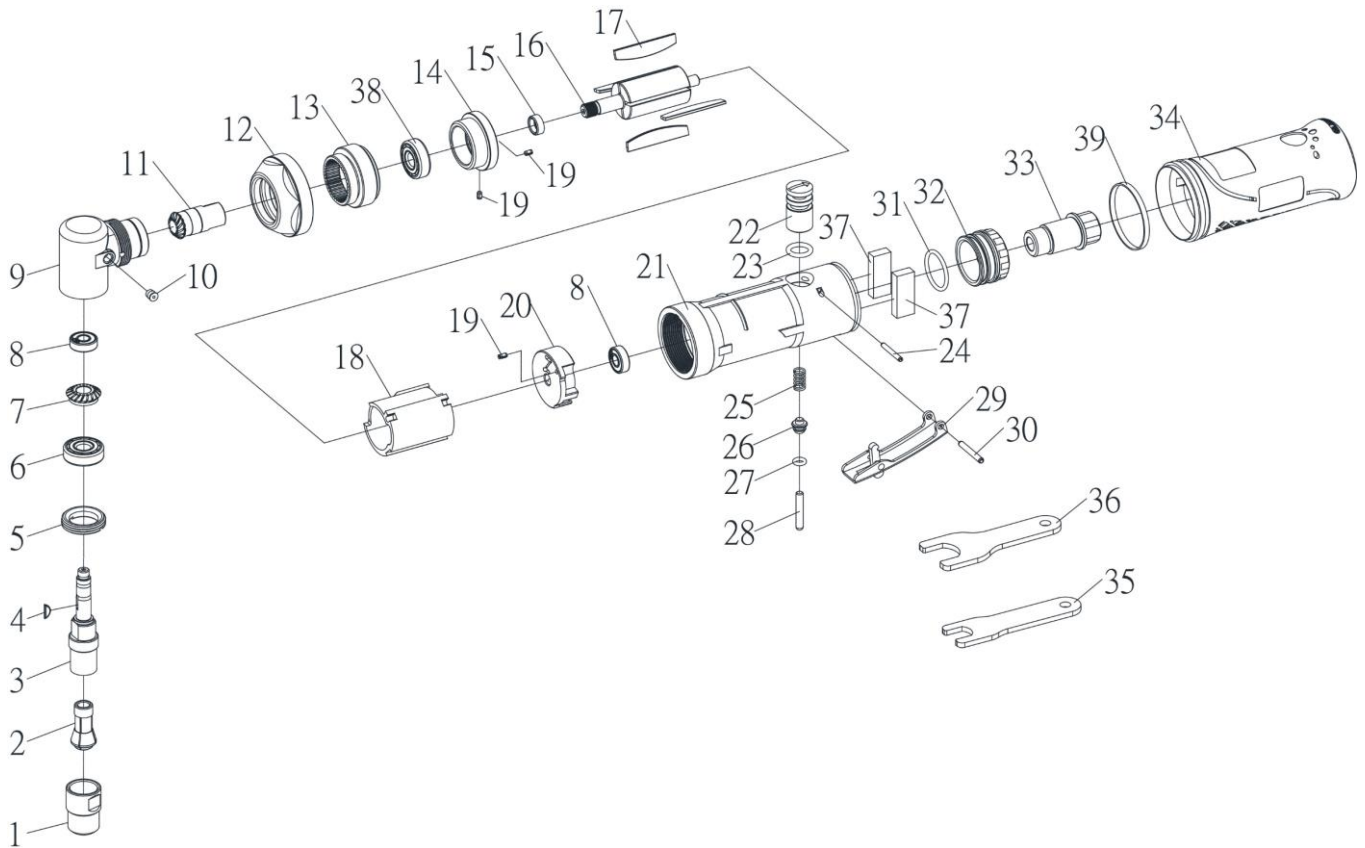


HEAVY DUTY AIR ANGLE DIE GRINDER



6242-A

INDEX NO.	DESCRIPTION	REQ'D NO.	INDEX NO.	DESCRIPTION	REQ'D NO.
01	Collet Nut	1	20	Rear End Plate	1
02	1/4" Collet	1	21	Motor Housing	1
	6mm Collet		22	Air Regulator	1
03	Spindle	1	23	O-Ring	1
04	Woodruff Key	1	24	Spring Pin	1
05	Clamp Nut	1	25	Valve Spring	1
06	Ball Bearing	1	26	Throttle Valve	1
07	Spindle Gear	1	27	O-Ring	1
08	Ball Bearing	2	28	Valve Shaft	1
09	Angle Head Housing	1	29	Safety Lever	1
10	Grease Fitting	1	30	Spring Pin	1
11	Pinion	1	31	O-Ring	1
12	Coupling Nut	1	32	Exhaust Sleeve	1
13	Lock Ring	1	33	Inlet Bushing	1
14	Front End Plate	1	34	Housing Cover	1
15	Bearing Spacer	1	35	#11mm Spanner	1
16	Rotor	1	36	#17mm Spanner	1
17	Rotor Blade	4	37	Muffler	2
18	Cylinder	1	38	Ball Bearing	1
19	Spring Pin	3	39	Rubber Band	1

0000.00.00

2015.01.22 2016.10.21