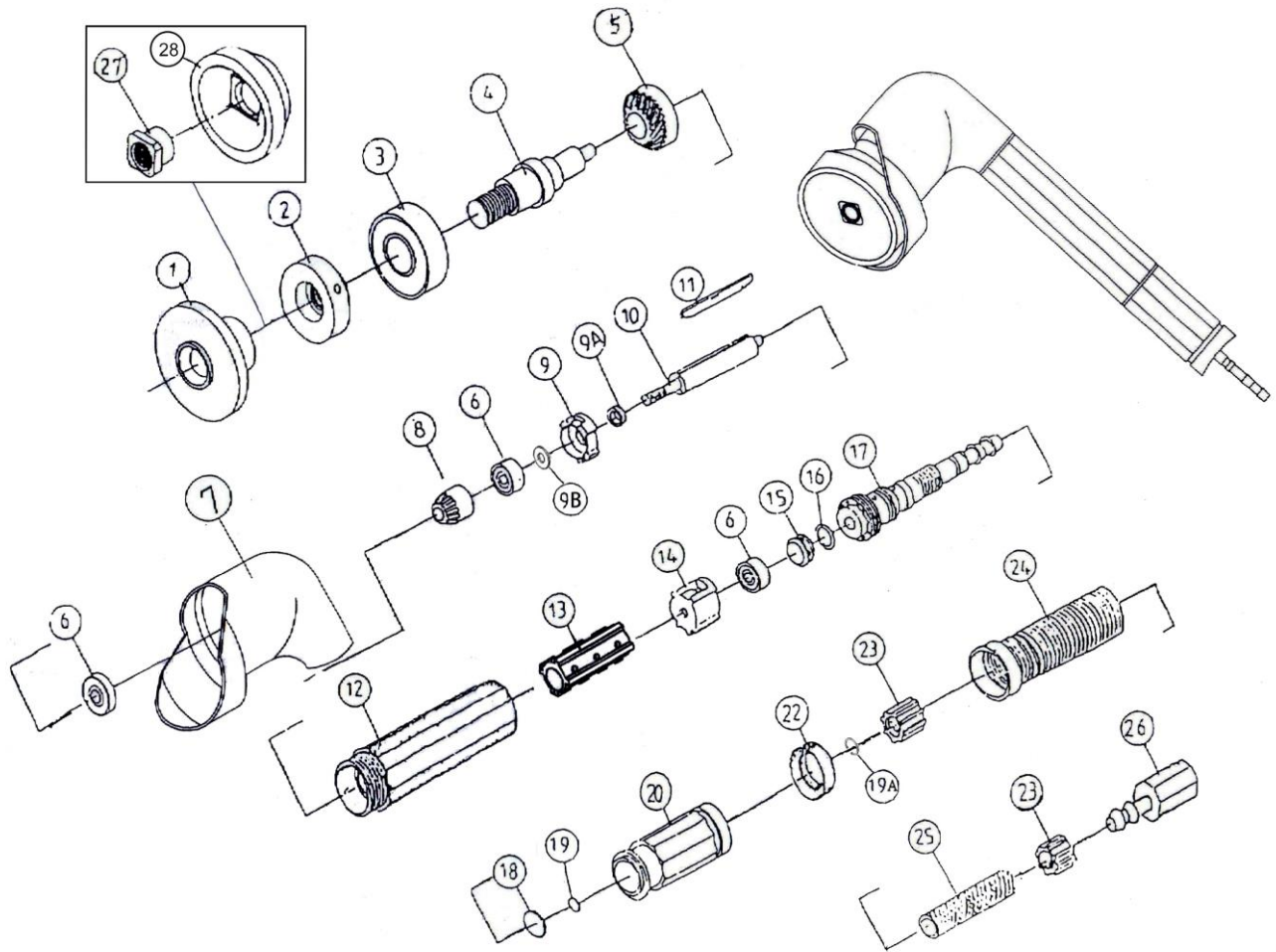


1-3/16" HEAVY DUTY HIGH SPEED MICRO AIR ANGLE GRINDER



6260-G1

INDEX NO.	DESCRIPTION	REQ'D NO.	INDEX NO.	DESCRIPTION	REQ'D NO.
01	Rubber Pad	1	14	Rear Bearing Plate	1
02	Momentum Head	1	15	Intake Steel Tube	1
03	Ball Bearing	1	16	O-Ring	1
04	Shaft	1	17	Hose Plug Assembly	1
05	Spiral Bevel Gear	1	18	O-Ring	1
06	Ball Bearing	3	19	O-Ring	1
07	Head Cover	1	19A	E-Ring	1
08	Bevel Pinion	1	20	Sliding Knob	1
09	Front Bearing Plate	1	22	Muffer Element	1
09A	Spacer	1	23	Hose Clamp	2
09B	Washer	1	24	Muffer Tube	1
10	Rotor	1	25	Air Hose	1
11	Rotor Blade	3	26	Inlet Connector	1
12	Housing	1	27	Cup Wheel Nut	1
13	Cylinder	1	28	Cup Wheel	1

0000.00.00

2015.05.06 2018.01.29