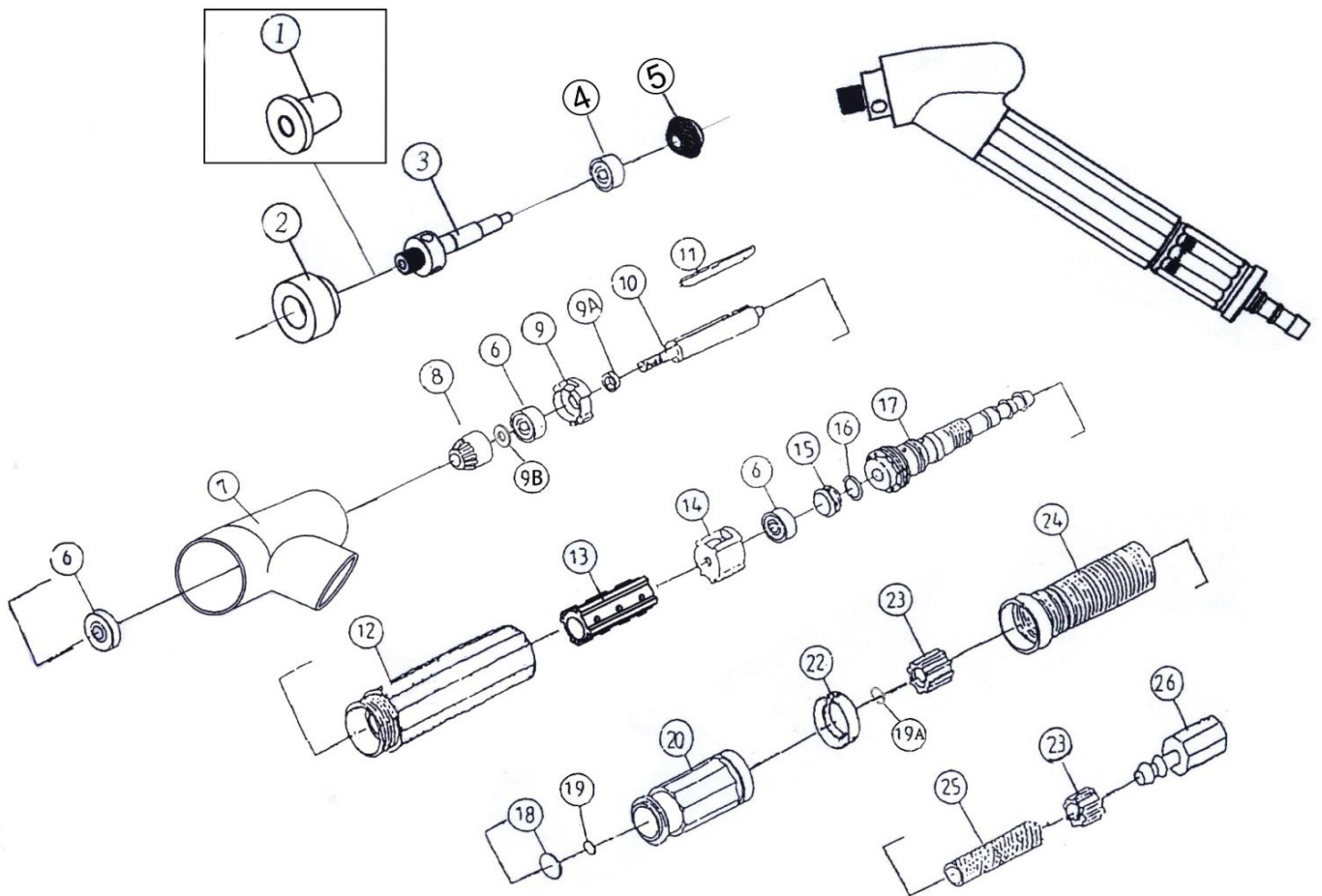


25/32" SUPER DUTY HIGH SPEED MICRO AIR ANGLE GRINDER



6260-G2

INDEX NO.	DESCRIPTION	REQ'D NO.	INDEX NO.	DESCRIPTION	REQ'D NO.
01	Rubber Pad	1	13	Cylinder	1
02	Cup Wheel	1	14	Rear Bearing Plate	1
03	Lock Shaft	1	15	Intake Steel Tube	1
04	Ball Bearing	1	16	O-Ring	1
05	Spiral Bevel Gear	1	17	Hose Plug Assembly	1
06	Ball Bearing	3	18	O-Ring	1
07	Head Cover	1	19	O-Ring	1
08	Bevel Pinion	1	19A	E-Ring	1
09	Front Bearing Plate	1	20	Sliding Knob	1
09A	Spacer	1	22	Muffler Element	1
09B	Washer	1	23	Hose Clamp	2
10	Rotor	1	24	Muffler Tube	1
11	Rotor Blade	3	25	Air Hose	1
12	Housing	1	26	Inlet Connector	1

0000.00.00

2015.05.06 2018.01.29