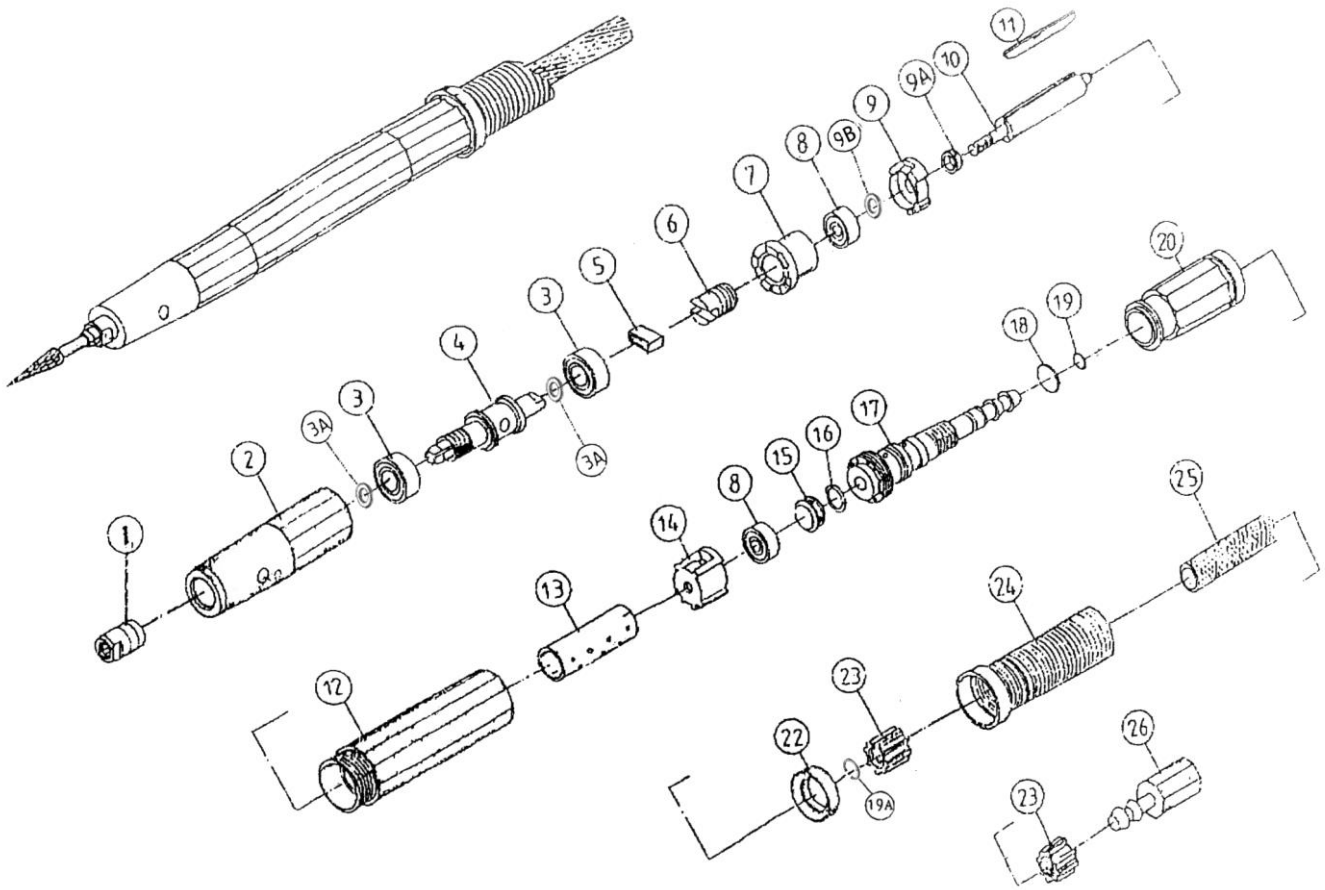


SUPER DUTY HIGH SPEED MICRO AIR DIE GRINDER



6260-S

INDEX NO.	DESCRIPTION	REQ'D NO.	INDEX NO.	DESCRIPTION	REQ'D NO.
01	Clamping Nut	1	13	Cylinder	1
02	Head Cover	1	14	Rear Bearing Plate	1
03	Ball Bearing	2	15	Intake Steel Tube	1
03A	Washer	2	16	O-Ring	1
04	Collet	1	17	Hose Plug Assembly	1
05	Damping Cover	1	18	O-Ring	1
06	Drive connector	1	19	O-Ring	1
07	Fixed Holder	1	19A	E-Ring	1
08	Ball Bearing	2	20	Sliding Knob	1
09	Front Bearing Plate	1	22	Muffler Element	1
09A	Spacer	1	23	Hose Clamp	2
09B	Washer	1	24	Muffler Tube	1
10	Rotor	1	25	Air Hose	1
11	Rotor Blade	3	26	Inlet Connector	1
12	Housing	1			

0000.00.00

2015.04.01 2018.01.29