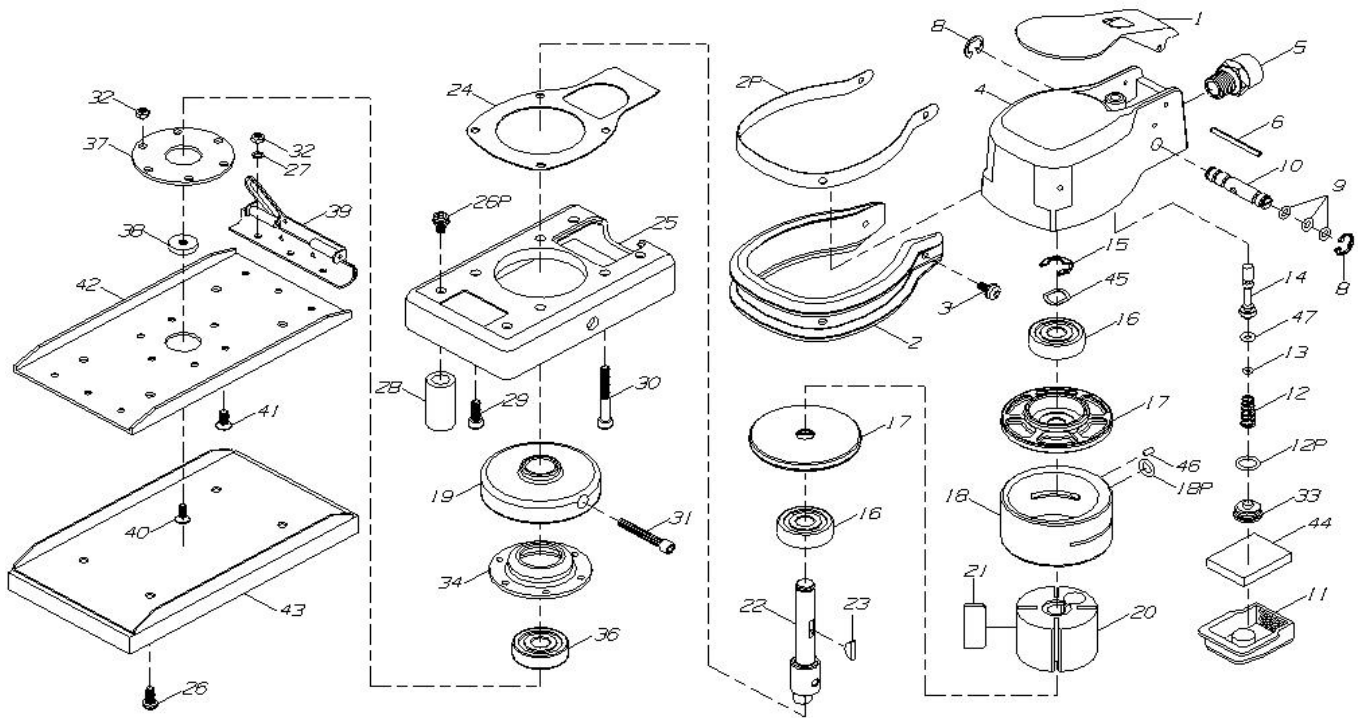


HEAVY DUTY AIR ORBITAL BLOCK SANDER



6301

INDEX NO.	DESCRIPTION	REQ'D NO.	INDEX NO.	DESCRIPTION	REQ'D NO.
01	Lever	1	24	Gasket	1
02	Rubber Grip	1	25	Base	1
02P	Steel Circlip	1	26	Mount Screw	4
03	Grip Screw	4	26P	Mount Screw W / Washer	4
04	Body	1	27	Spring Washer	6
05	Inlet Screw	1	28	Rubber Post	4
06	Pin	1	29	Cap Screw	2
08	Retainer Ring	2	30	Cap Screw	2
09	O-Ring	3	31	Balance Lock Screw	1
10	Regulator	1	32	Nut	12
11	Deflector	1	33	Plug	1
12	Spring	1	34	Bearing Housing	1
12P	O-Ring	1	36	Ball Bearing	1
13	O-Ring	1	37	Bearing Plate	1
14	Plunger	1	38	Washer	1
15	Retainer Ring	1	39	Paper Clamp	2
16	Ball Bearing	2	40	Screw	1
17	End Plate	2	41	Screw	12
18	Cylinder	1	42	Shoe Plate	1
18P	O-Ring	1	43	Sanding Pad	1
19	Balance	1	44	Muffler	1
20	Rotor	1	45	Wave Washer	1
21	Rotor Blade	4	46	Spring Pin	1
22	Rotor Shaft	1	47	O-Ring	1
23	Key	1			

2005.11.02

2004.06.10 2007.03.05