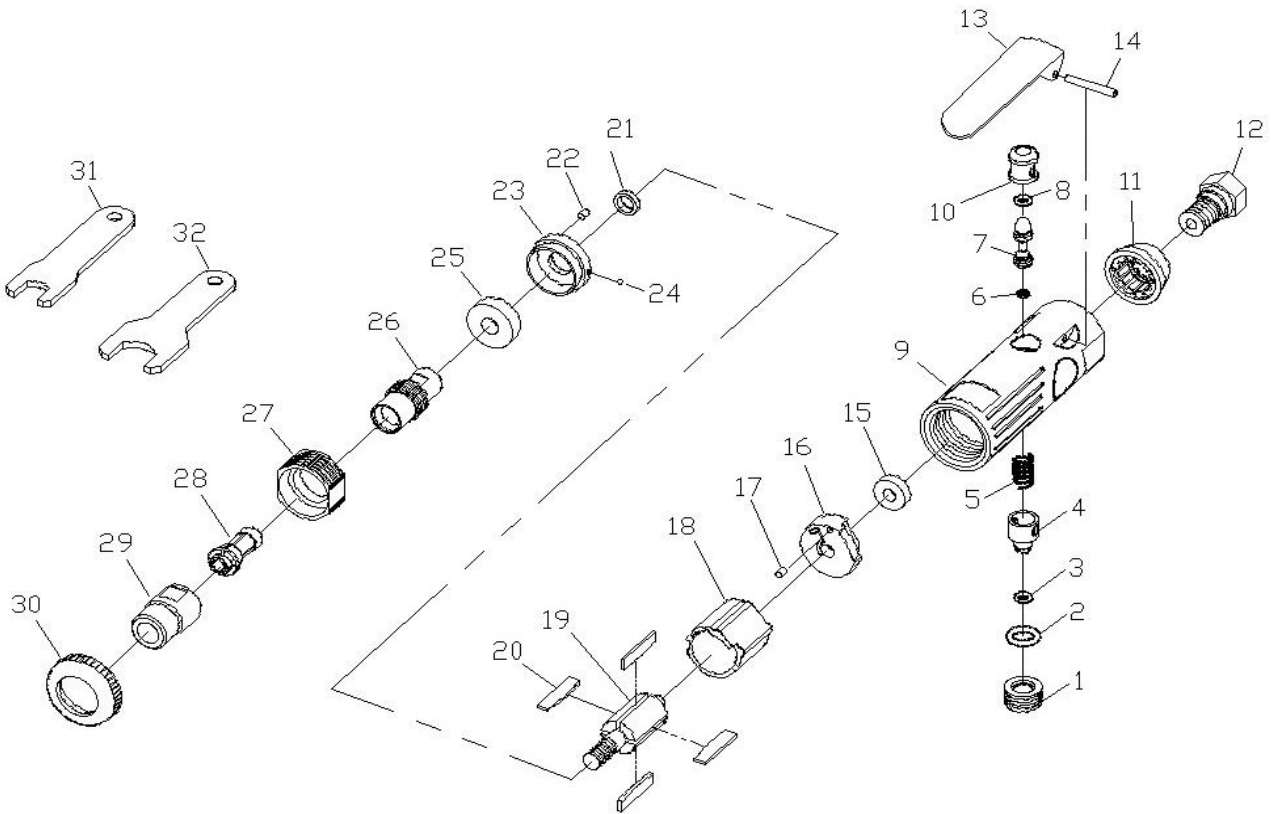


HEAVY DUTY AIR DIE GRINDER



635-S

INDEX NO.	DESCRIPTION	REQ'D NO.	INDEX NO.	DESCRIPTION	REQ'D NO.
01	Plug Srcew	1	17	Locating Pin	1
02	O-Ring	1	18	Cylinder	1
03	O-Ring	1	19	Rotor	1
04	Air Regulator	1	20	Rotor Blade	4
05	Valve Spring	1	21	Rotor Collar	1
06	O-Ring	1	22	Locating Pin	1
07	Valve Stem	1	23	Bearing Plate	1
08	O-Ring	1	24	Ball	1
09	Motor Housing	1	25	Bearing	1
10	Valve Bushing	1	26	Spindle	1
11	Muffler	1	27	Lock Ring	1
12	Air Inlet	1	28	Collet	1
13	Lever	1	29	Collet Nut	1
14	Lever Pin	1	30	Housing Cap	1
15	Bearing	1	31	Wrench (11mm)	1
16	Bearing Plate	1	32	Wrench (17mm)	1

0000.00.00

2008.09.22 2013.07.26