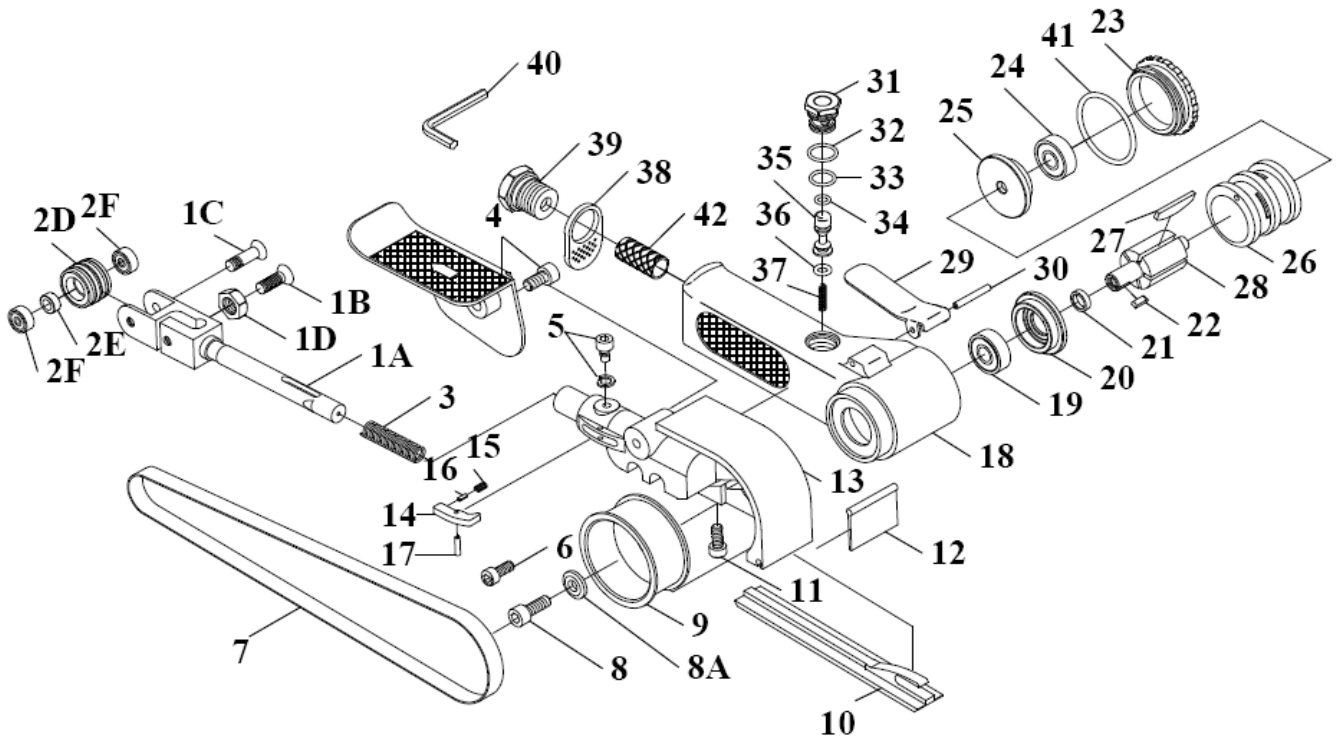


HEAVY DUTY AIR BELT SANDER



6403

INDEX NO.	DESCRIPTION	REQ'D NO.	INDEX NO.	DESCRIPTION	REQ'D NO.
01A	Idle Pulley Bracket Sub Assembly	1	19	Ball Bearing	1
01B	Set Screw	1	20	End Plate B	1
01C	Screw	1	21	Spacer	1
01D	Net	1	22	Sunk Key	1
2D	Idler Pulley	1	23	Cap	1
2E	Washer	1	24	Ball Bearing	1
2F	Ball Bearing	2	25	End Plate A	1
03	Spring	1	26	Cylinder	1
04	Finger Pad Assembly	1	27	Blade (5pcs/set)	5
05	Key Bolt Assembly	1	28	Rotor	1
06	Hexagon Socket Head Bolt	1	29	Throttle Lever	1
07	Grinding Belt	1	30	Lever Pin	1
08	Hexagon Socket Head Bolt	1	31	Valve Body	1
08A	Washer	1	32	O-Ring	1
09	Drive Pulley	1	33	O-Ring	1
10	Flat Shoe	1	34	O-Ring	1
11	Hexagon Socket Head Bolt	1	35	Valve Stem	1
12	Dust Cover	1	36	O-Ring	1
13	Guard Body	1	37	Valve Spring	1
14	Tension Bar	1	38	Deflector	1
15	Spring	1	39	Air Inlet	1
16	Lever Pin	1	40	Hex. Wrench 4 mm	1
17	Lever Pin	1	41	O-Ring	1
18	Housing	1	42	Wool	1

0000.00.00

2010.08.21 2016.09.29