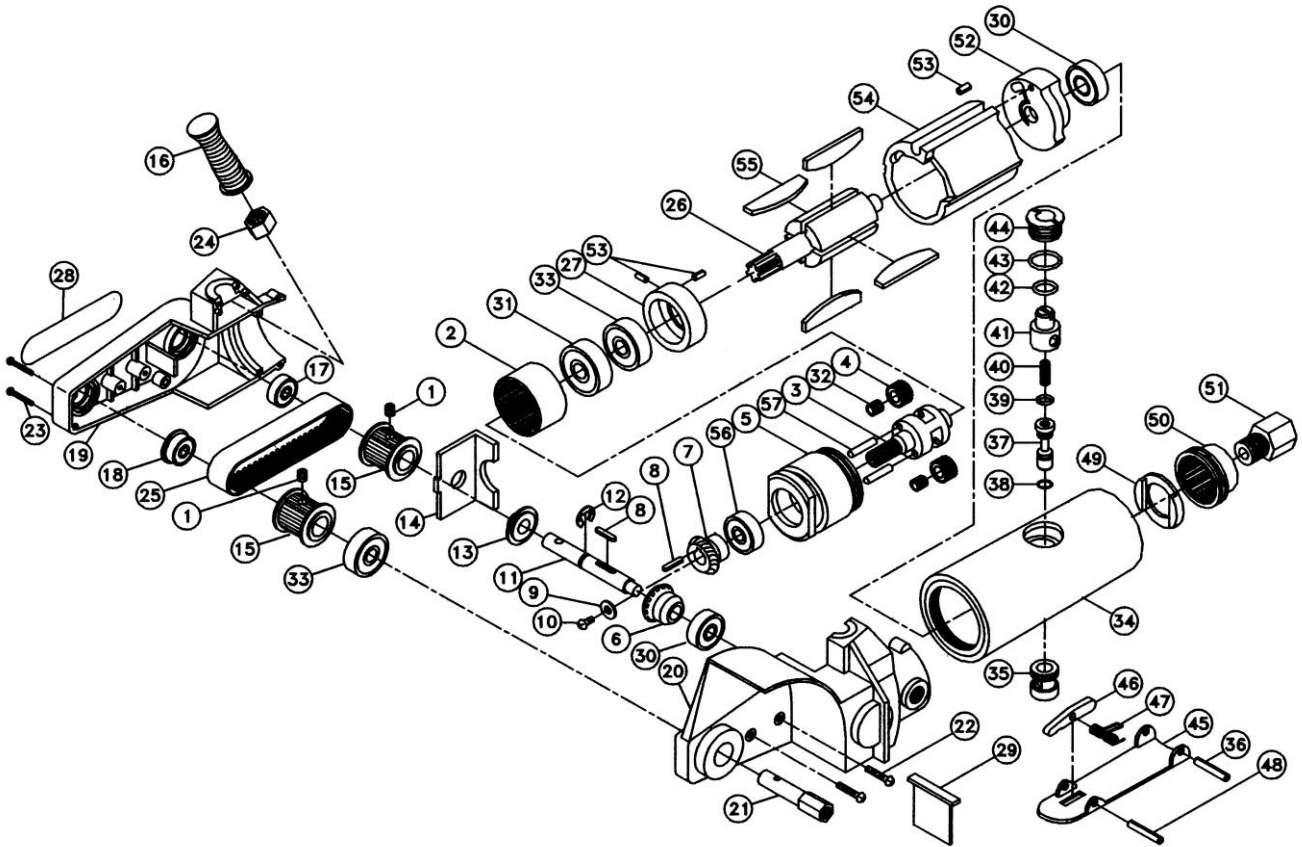


HEAVY DUTY AIR SURFACE REMOVAL TOOL



6419

INDEX NO.	DESCRIPTION	REQ'D NO.	INDEX NO.	DESCRIPTION	REQ'D NO.
01	Screw	2	30	Ball Bearing	2
02	Annular Gear	1	31	Ball Bearing	1
03	Gear Complete	1	32	Needle Bearing	2
04	Pinion Gear	2	33	Ball Bearing	2
05	Housing Nut	1	34	Motor Housing	1
06	Bevel Gear	1	35	Valve Bushing	1
07	Bevel Gear	1	36	Lever Pin	1
08	Square Key	2	37	Valve Stem	1
09	Washer	1	38	O-Ring	1
10	Screw	1	39	O-Ring	1
11	Gear Spindle	1	40	Spring	1
12	E-Ring	1	41	Regulator	1
13	Spacer	1	42	O-Ring	1
14	Gear Cap	1	43	O-Ring	1
15	Pulleys	2	44	Valve Screw	1
16	Dead Handle	1	45	Throttle Lever	1
17	Bearing	1	46	Stop Rod	1
18	Bearing	1	47	Spring	1
19	Belt Casing	1	48	Pin	1
20	Wheel Casing	1	49	Silencer	1
21	Pulleys Spindle	1	50	Deflector	1
22	Screw	2	51	Air Inlet	1
23	Screw	10	52	Rear End Plate	1
24	Screw	3	53	Pin	3
25	Belt	1	54	Cylinder	1
26	Rotor	1	55	Rotor Blade	4
27	Front End Plate	1	56	Ball Bearing	1
28	Label	1	57	Pin	2
29	Plate	1			

0000.00.00
2013.10.28