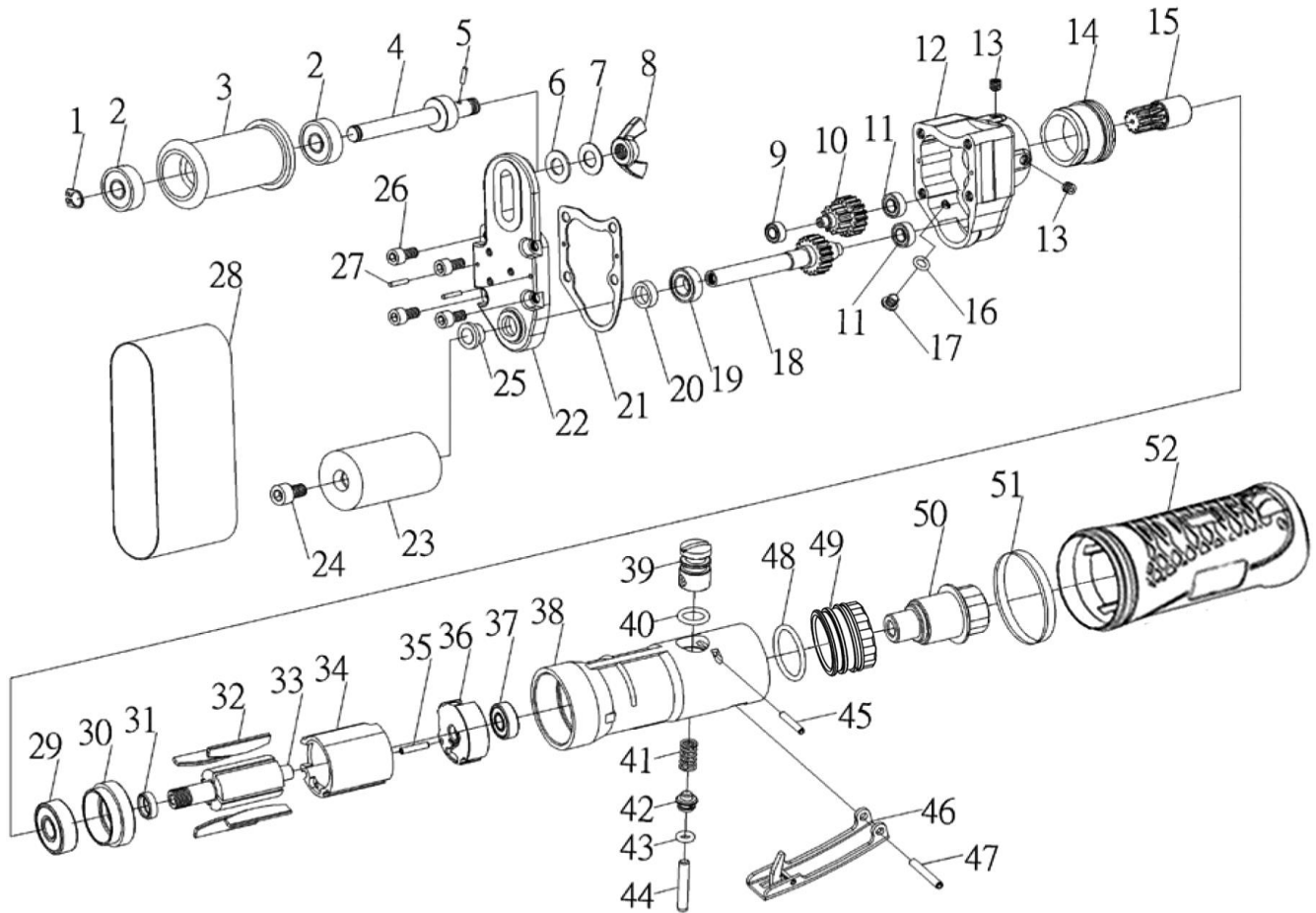


HEAVY DUTY AIR BELT SANDER



6421

| INDEX NO. | DESCRIPTION | REQ'D NO. | INDEX NO. | DESCRIPTION | REQ'D NO. |
|-----------|--------------------|-----------|-----------|-----------------|-----------|
| 01 | Snap Ring | 1 | 27 | Pin | 2 |
| 02 | Ball Bearing | 2 | 28 | Sanding Belt | 1 |
| 03 | Pulley | 1 | 29 | Ball Bearing | 1 |
| 04 | Shaft | 1 | 30 | Front End Plate | 1 |
| 05 | Pin | 1 | 31 | Bearing Spacer | 1 |
| 06 | Washer | 1 | 32 | Rotor Blade | 4 |
| 07 | Spring Washer | 1 | 33 | Rotor | 1 |
| 08 | Knob | 1 | 34 | Cylinder | 1 |
| 09 | Ball Bearing | 1 | 35 | Spring Pin | 1 |
| 10 | Gear | 1 | 36 | Rear End Plate | 1 |
| 11 | Ball Bearing | 2 | 37 | Ball Bearing | 1 |
| 12 | Gear Housing | 1 | 38 | Motor Housing | 1 |
| 13 | Set Screw | 2 | 39 | Air Regulator | 1 |
| 14 | Lock Nut | 1 | 40 | O-Ring | 1 |
| 15 | Gear | 1 | 41 | Valve Spring | 1 |
| 16 | O-Ring | 1 | 42 | Throttle Valve | 1 |
| 17 | Screw | 1 | 43 | O-Ring | 1 |
| 18 | Shaft | 1 | 44 | Valve Shaft | 1 |
| 19 | Ball Bearing | 1 | 45 | Spring Pin | 1 |
| 20 | Oil Seal | 1 | 46 | Throttle Lever | 1 |
| 21 | Packing | 1 | 47 | Spring Pin | 1 |
| 22 | Gear Housing Cover | 1 | 48 | O-Ring | 1 |
| 23 | Drive Roller | 1 | 49 | Exhaust Sleeve | 1 |
| 24 | Cap Screw | 1 | 50 | Inlet Bushing | 1 |
| 25 | Bushing | 1 | 51 | Rubber Band | 1 |
| 26 | Cap Screw | 4 | 52 | Housing Cover | 1 |

0000.00.00

2014.02.17 2020.02.21