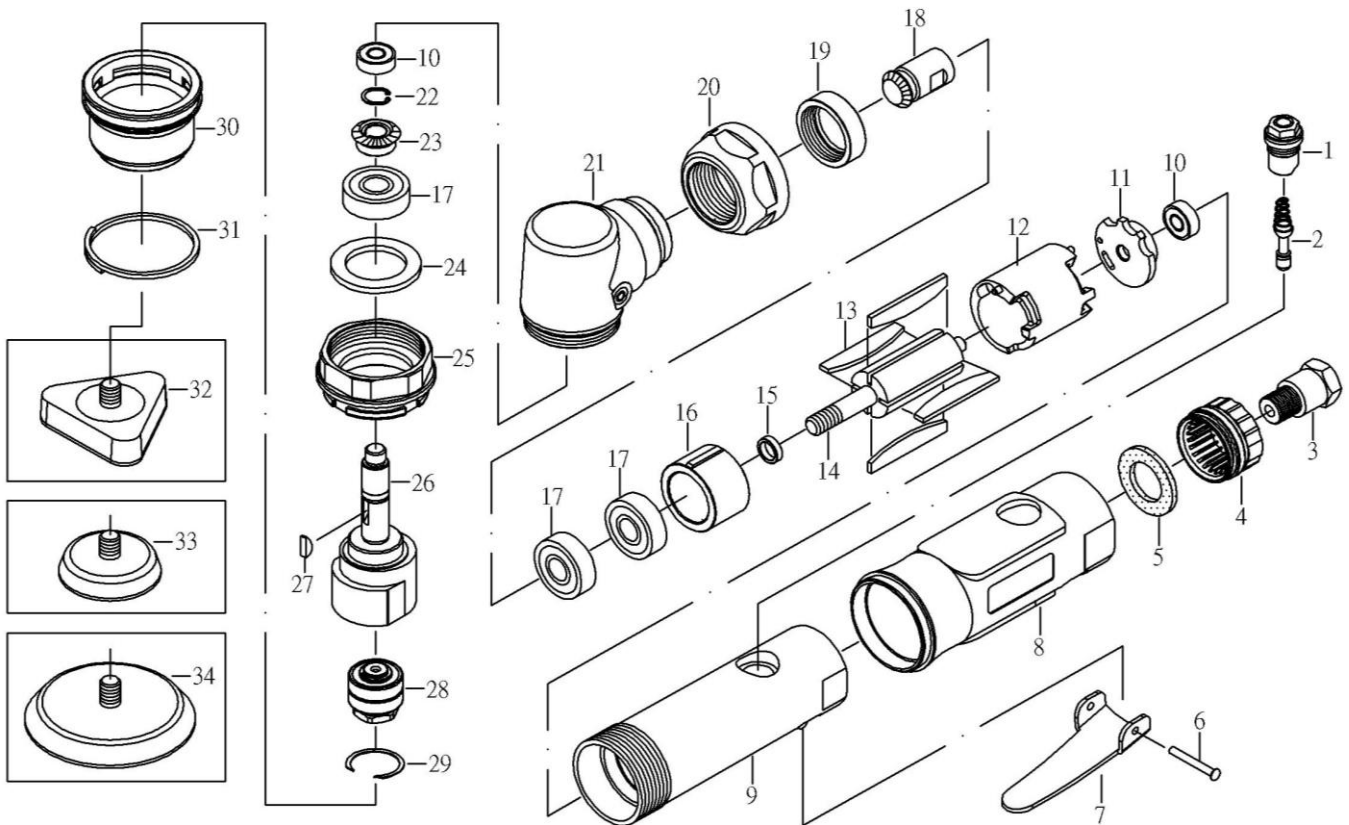


HEAVY DUTY ORBITAL AIR ANGLE SANDER



6511-A

INDEX NO.	DESCRIPTION	REQ'D NO.	INDEX NO.	DESCRIPTION	REQ'D NO.
01	Regulator Set	1	18	Bevel Gear (10T)	1
02	Valve Stem Set	1	19	Nut	1
03	Air Inlet	1	20	Clamp Nut	1
04	Exhaust Sleeve Set	1	21	Angle Housing Set	1
05	Cone Muffler	1	22	Snap Ring	1
06	Pin	1	23	Bevel Gear (15T)	1
07	Lever	1	24	Washer	1
	Locking Lever (Option)		25	Clamp Nut	1
08	Protecting Rubber	1	26	Motor Shaft Balancer	1
09	Housing	1	27	Key	1
10	Bearing	2	28	Shaft Set	1
11	Rear Plate	1	29	Snap Ring	1
12	Cylinder Set	1	30	Rubber Cover	1
13	Rotor Blade	4	31	Skirt Band	1
14	Rotor	1	32	1.5" Pad (Triangular)	1
15	Bearing Spacer	1	33	1.2" Pad (Round)	1
16	Front Plate	1	34	2" Pad (Round)	1
17	Bearing	3			

0000.00.00

2018.12.05 2019.06.03