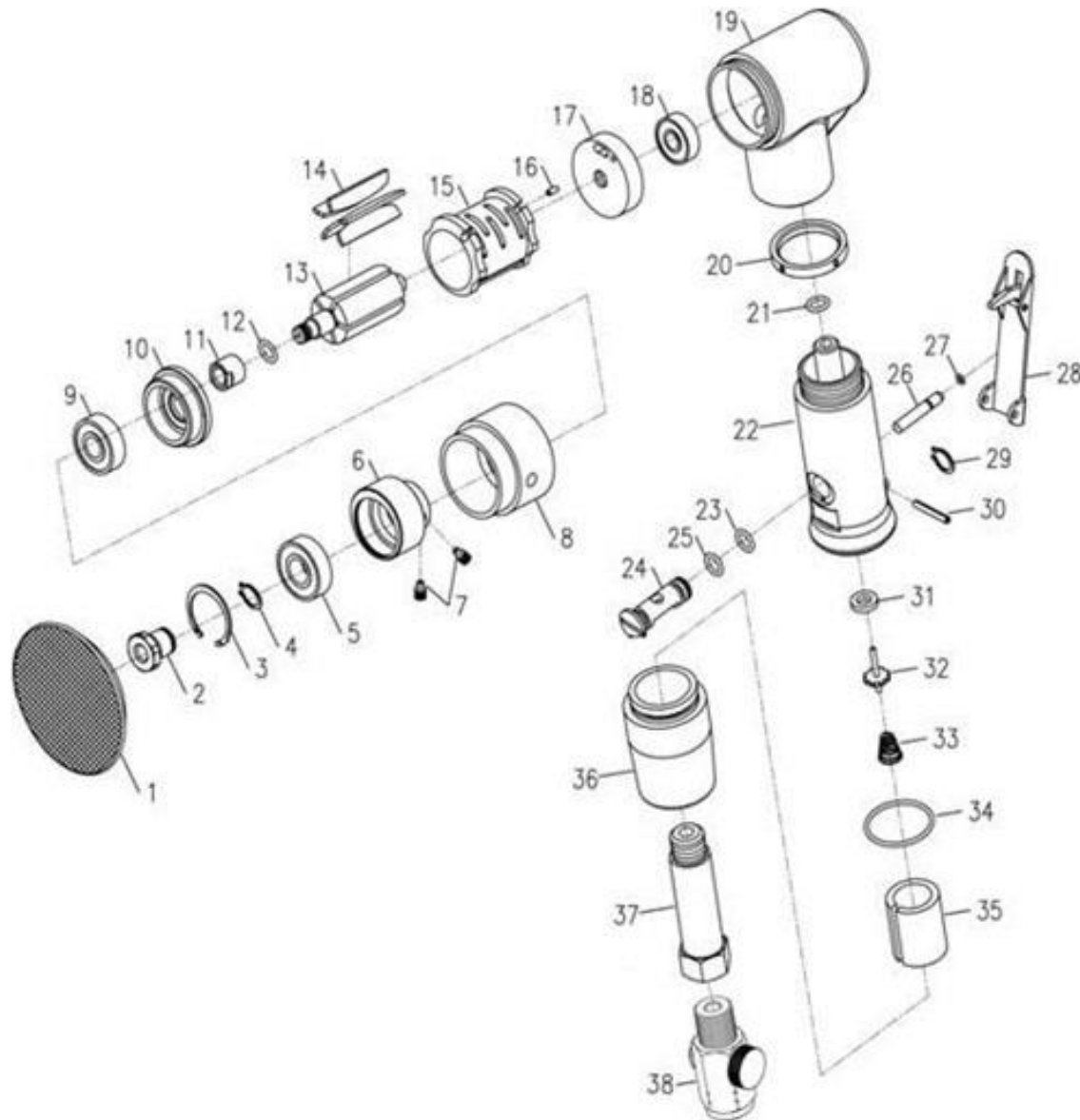


HEAVY DUTY ORBITAL AIR ANGLE SANDER



6517-ABS

INDEX NO.	DESCRIPTION	REQ'D NO.	INDEX NO.	DESCRIPTION	REQ'D NO.
01	3" Pad	1	21	O-Ring	1
02	Shaft	1	22	Housing	1
03	Snap Ring	1	23	O-Ring	1
04	Snap Ring	1	24	Air Controller	1
05	Bearing	1	25	O-Ring	1
06	Balancer	1	26	Valve Pin	1
07	Set Screw	2	27	O-Ring	1
08	Front Cover	1	28	Lever	1
09	Bearing	1	29	Snap Ring	1
10	Front Plate	1	30	Spring Pin	1
11	Nut	1	31	Seal	1
12	Spacer	1	32	Valve Stem	1
13	Rotor	1	33	Spring	1
14	Blade	5	34	O-Ring	1
15	Cylinder	1	35	Felt	1
16	Spring Pin	1	36	Exhaust Deflector	1
17	Rear Plate	1	37	Air Inlet 1/4"-18 NPT	1
18	Bearing	1		Air Inlet 1/4"-19 PT	
19	Housing	1		Air Inlet 1/4"-19 PF	
20	Lock Nut	1	38	Regulator Assembly	1

0000.00.00

2013.06.10 2014.08.15