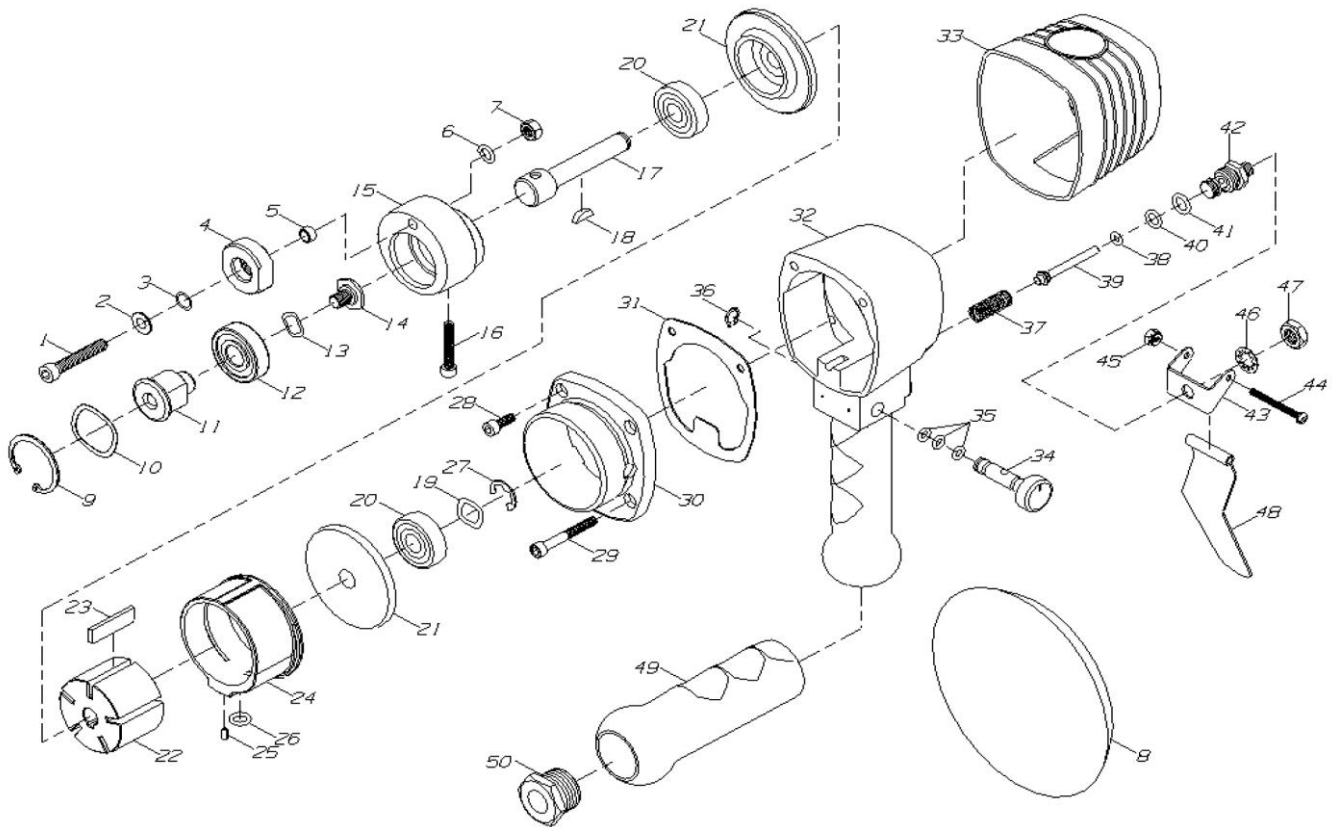


HEAVY DUTY ORBITAL AIR DUAL ACTION SANDER



6612

INDEX NO.	DESCRIPTION	REQ'D NO.	INDEX NO.	DESCRIPTION	REQ'D NO.
01	Screw	1	25	Pin	1
02	Flat Washer	1	26	O-Ring	1
03	Wave Washer	1	27	Retaining Ring	1
04	Spindle Lock	1	28	Screw (S)	2
05	Spacer	1	29	Screw (L)	2
06	Washer	1	30	Drive Housing	1
07	Hex Nut	1	31	Gasket	1
08	6" Foam Pad(Yellow)(Standard)	1	32	Motor Housing	1
	6" Foam Pad(Black)(Option)		33	Housing Cover	1
	6" Hook Surface Pad(Yellow)(Option)		34	Air Regulator	1
	6" Hook Surface Pad(Black)(Option)		35	O-Ring	3
09	Retaining Ring	1	36	Ring Retaining	1
10	Wave Washer	1	37	Spring	1
11	Drive Spindle	1	38	O-Ring	1
12	Ball Bearing	1	39	Valve Stem	1
13	Wave Washer	1	40	O-Ring	1
14	Screw	1	41	O-Ring	1
15	Orbital Hub	1	42	Valve Body	1
16	Screw	1	43	Bracket	1
17	Rotor Shaft	1	44	Screw	1
18	Key	1	45	Lever Nut	1
19	Wave Washer	1	46	Lock Washer	1
20	Ball Bearing	2	47	Hex Nut	1
21	End Plate	2	48	Throttle Lever(Standard)	1
22	Rotor	1		Safety Lever(Optional)	
23	Rotor Blade	5	49	Handle Cover	1
24	Cylinder	1	50	Inlet Bushing	1

0000.00.00

2007.04.23 2012.10.25 20181204