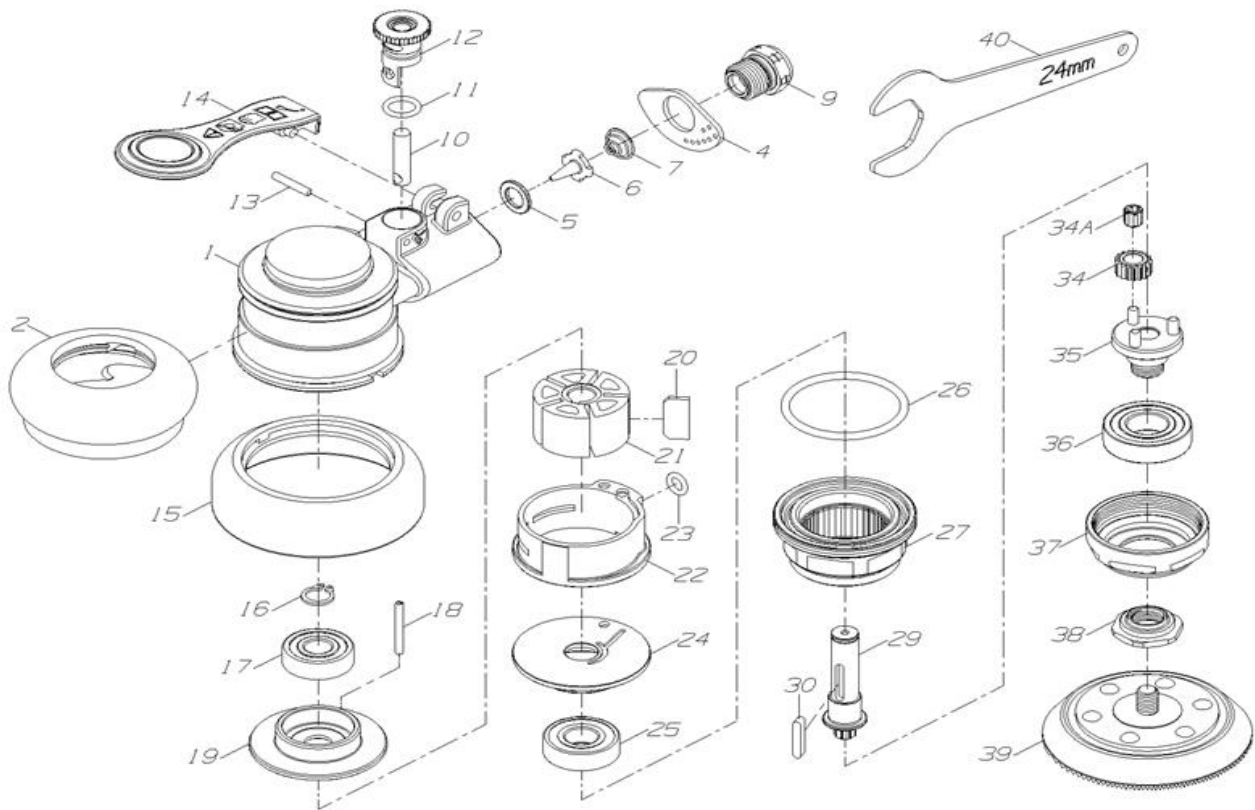


HEAVY DUTY AIR PALM POLISHER



6619

INDEX NO.	DESCRIPTION	REQ'D NO.	INDEX NO.	DESCRIPTION	REQ'D NO.
01	Housing	1	21	Rotor	1
02	Housing Cover	1	22	Cylinder	1
04	Exhaust Deflector	1	23	O-Ring	1
05	Spacer	1	24	Front Plate	1
06	Controller	1	25	Ball Bearing	1
07	Spring	1	26	O-Ring	1
09	Air Inlet	1	27	Motor Cover	1
10	Valve Stem	1	29	Rotor Shaft	1
11	O-Ring	1	30	Key	1
12	Regulator	1	34	Gear	3
13	Pin	1	34A	Needle Bearing	3
14	Lever	1	35	Gear Plate	1
15	Cover	1	36	Ball Bearing	1
16	Retaining Ring	1	37	Lock Nut	1
17	Ball Bearing	1	38	Drive Spindle	1
18	Pin	1	39	3" Hook Surface Pad	1
19	Rear Plate	1	40	Wrench	1
20	Rotor Blade	5			