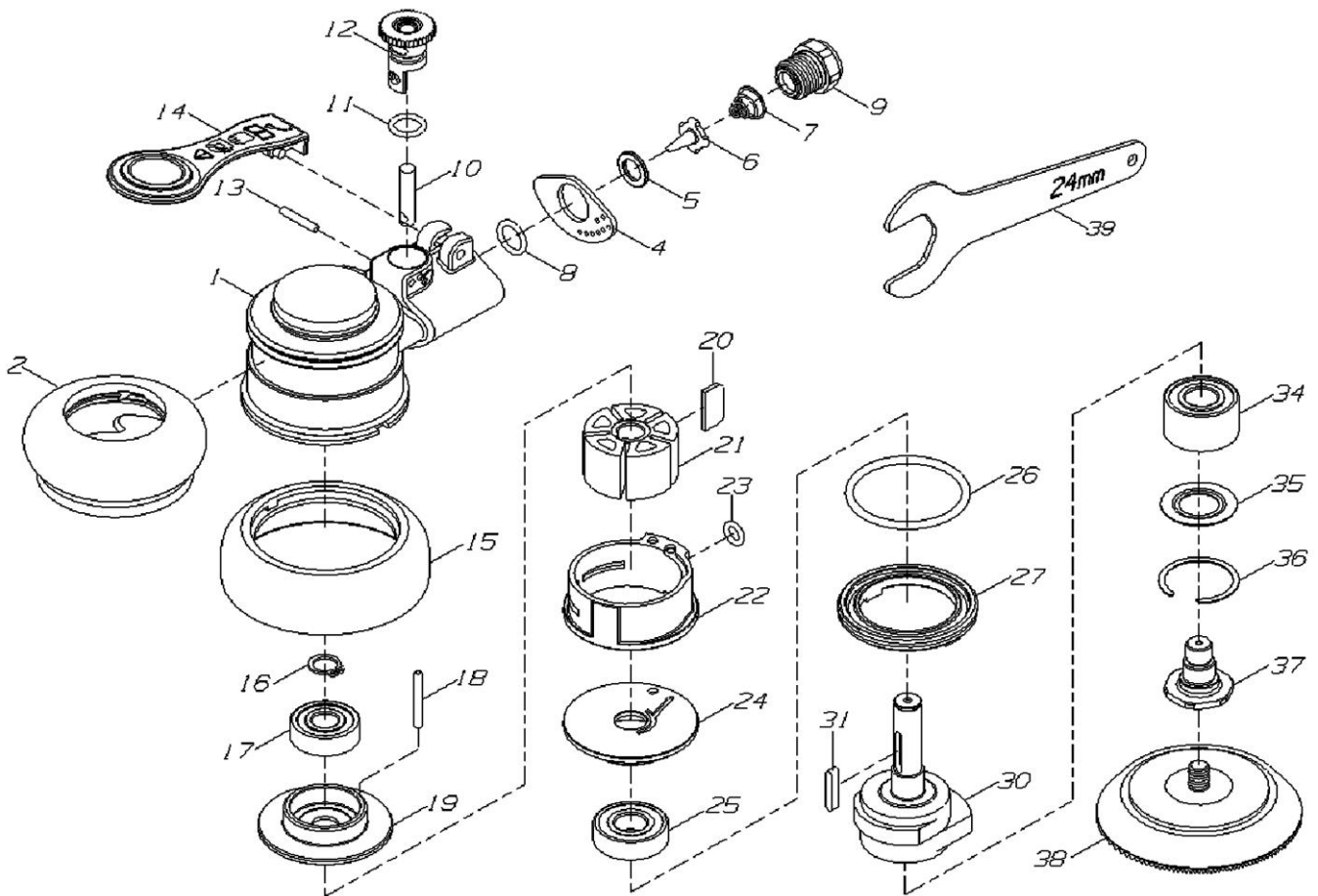


# HEAVY DUTY ORBITAL AIR SANDER



6629

INDEX NO.	DESCRIPTION	REQ'D NO.	INDEX NO.	DESCRIPTION	REQ'D NO.
01	Housing	1	19	Rear Plate	1
02	Housing Cover	1	20	Rotor Blade	5
04	Exhaust Deflector	1	21	Rotor	1
05	Spacer	1	22	Cylinder	1
06	Controller	1	23	O-Ring	1
07	Spring	1	24	Front Plate	1
08	O-Ring	1	25	Ball Bearing	1
09	Air Inlet	1	26	O-Ring	1
10	Valve Stem	1	27	Motor Cover	1
11	O-Ring	1	30	Rotor Shaft(3",2.5mm Stroke)	1
12	Regulator	1	31	Key	1
13	Pin	1	34	Ball Bearing	1
14	Lever	1	35	Washer	1
15	Cover	1	36	Retaining Ring	1
16	Retaining Ring	1	37	Drive Spindle	1
17	Ball Bearing	1	38	3" Hook Surface Pad	1
18	Pin	1	39	24mm Wrench	1

0000.00.00

2010.11.02 20181204