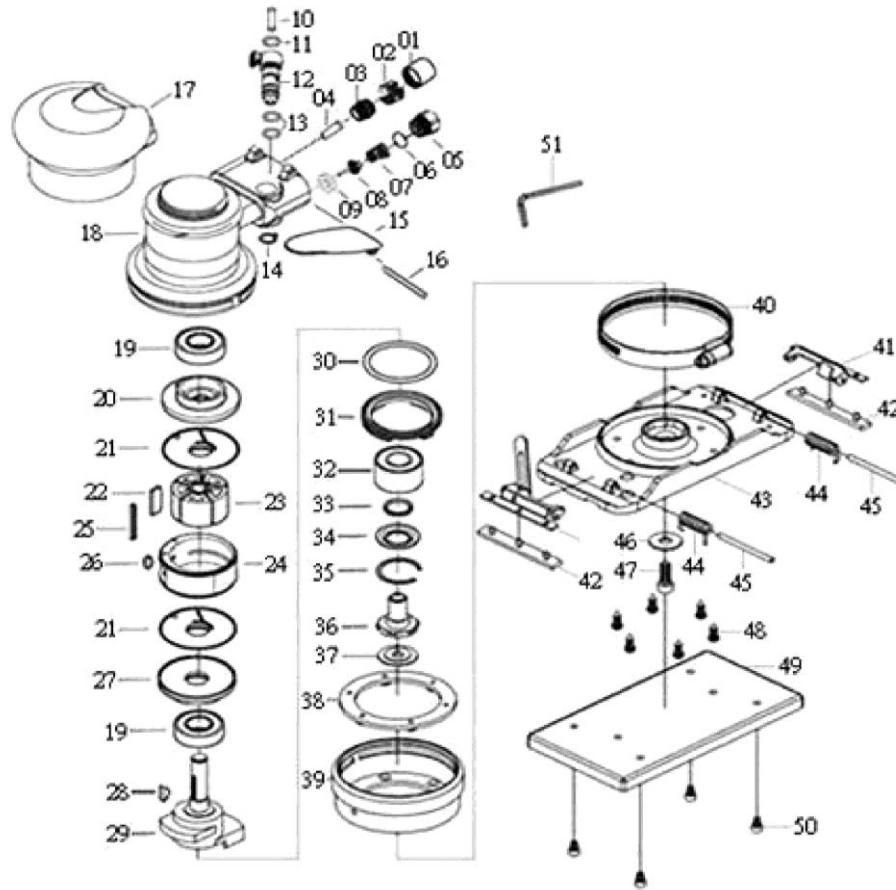


HEAVY DUTY ORBITAL AIR JITTERBUG SANDER



6636-JS

INDEX NO.	DESCRIPTION	REQ'D NO.	INDEX NO.	DESCRIPTION	REQ'D NO.
01	Cover (AL)	1	27	Front End Plate	1
02	Felt	1	28	Key	1
03	Muffer Body	1	29	Motor Shaft Balancer	1
04	Cone Muffer	1	30	O-Ring	1
05	Inlet Bushing	1	31	Safeguard Bushing	1
06	Washer	1	32	Ball Bearing	1
07	Spring	1	33	Felt Ring	1
08	Valve	1	34	Bearing Shield	1
09	Seal	1	35	Snap Ring	1
10	Valve Stem	1	36	Shaft	1
11	O-Ring	1	37	Washer	1
12	Valve Bushing	1	38	Pad Mount	1
13	O-Ring	2	39	Boot	1
14	Snap Ring	1	40	Clamp	1
15	Lever	1	41	Clip Top	2
16	Spring Pin	1	42	Rubber Grip	2
17	Rubber Cover	1	43	Pad Top	1
18	Housing	1	44	Spring	2
19	Ball Bearing	2	45	Spring Pin	2
20	Rear End Plate	1	46	Washer	1
21	Steel Plate	2	47	Screw	1
22	Rotor Blade	5	48	Screw	6
23	Rotor	1	49	Pad	1
24	Cylinder	1	50	Screw	4
25	Spring Pin	1	51	Wrench	1
26	O-Ring	1			

0000.00.00
2013.06.11