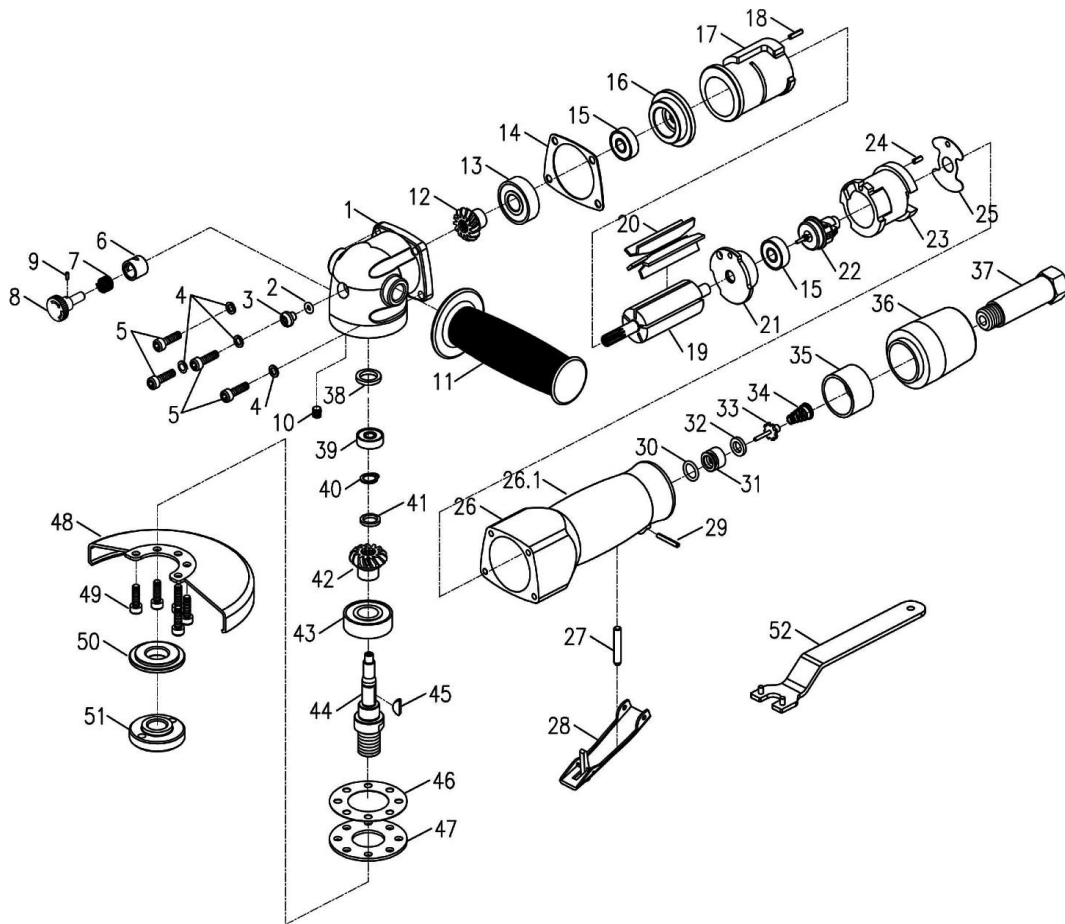


# 4" HEAVY DUTY AIR ANGLE GRINDER



6815

INDEX NO.	DESCRIPTION	REQ'D NO.	INDEX NO.	DESCRIPTION	REQ'D NO.
01	Gear Housing	1	29	Spring Pin	1
02	O-Ring	1	30	O-Ring	1
03	Screw	1	31	Valve Base	1
04	Spring Washer	4	32	Rubber Spacer	1
05	Screw	4	33	Valve Stem	1
06	Base	1	34	Spring	1
07	Spring	1	35	Felt	1
08	Knob	1	36	Exhaust Deflector	1
09	Spring Pin	1	37	Air Inlet(1/4NPT18)	1
10	Screw	1		Air Inlet(1/4PT19)	
11	Dead Handle	1		Air Inlet(1/4PF19)	
12	Bevel Gear	1	38	Wave Washer	1
13	Ball Bearing	1	39	Ball Bearing	1
14	Gasket	1	40	Retaining Ring	1
15	Ball Bearing	2	41	Wave Washer	1
16	Front End Plate	1	42	Bevel Gear	1
17	Cylinder	1	43	Ball Bearing	1
18	Spring Pin	1	44	Spindle(3/8-24)	1
19	Rotor	1		Spindle(M10×P1.5)(Option)	
20	Rotor Blade	5	45	Key	1
21	Rear End Plate	1	46	Gasket	1
22	Pendulum Set	1 set	47	Retainer	1
23	Inlet Guide	1	48	Disc Cover(4")	1
24	Spring Pin	1	49	Screw	5
25	Motor Gasket	1	50	Flange(3/8-24)	1
26	Motor Housing	1		Flange(M10×P1.5)(Option)	
26.1	Rubber	1	51	Flange Nut(3/8-24)	1
27	Pin	1		Flange Nut(M10×P1.5)(Option)	
28	Safety Lever	1		52	

0000.00.00

2013.06.28 2013.11.13