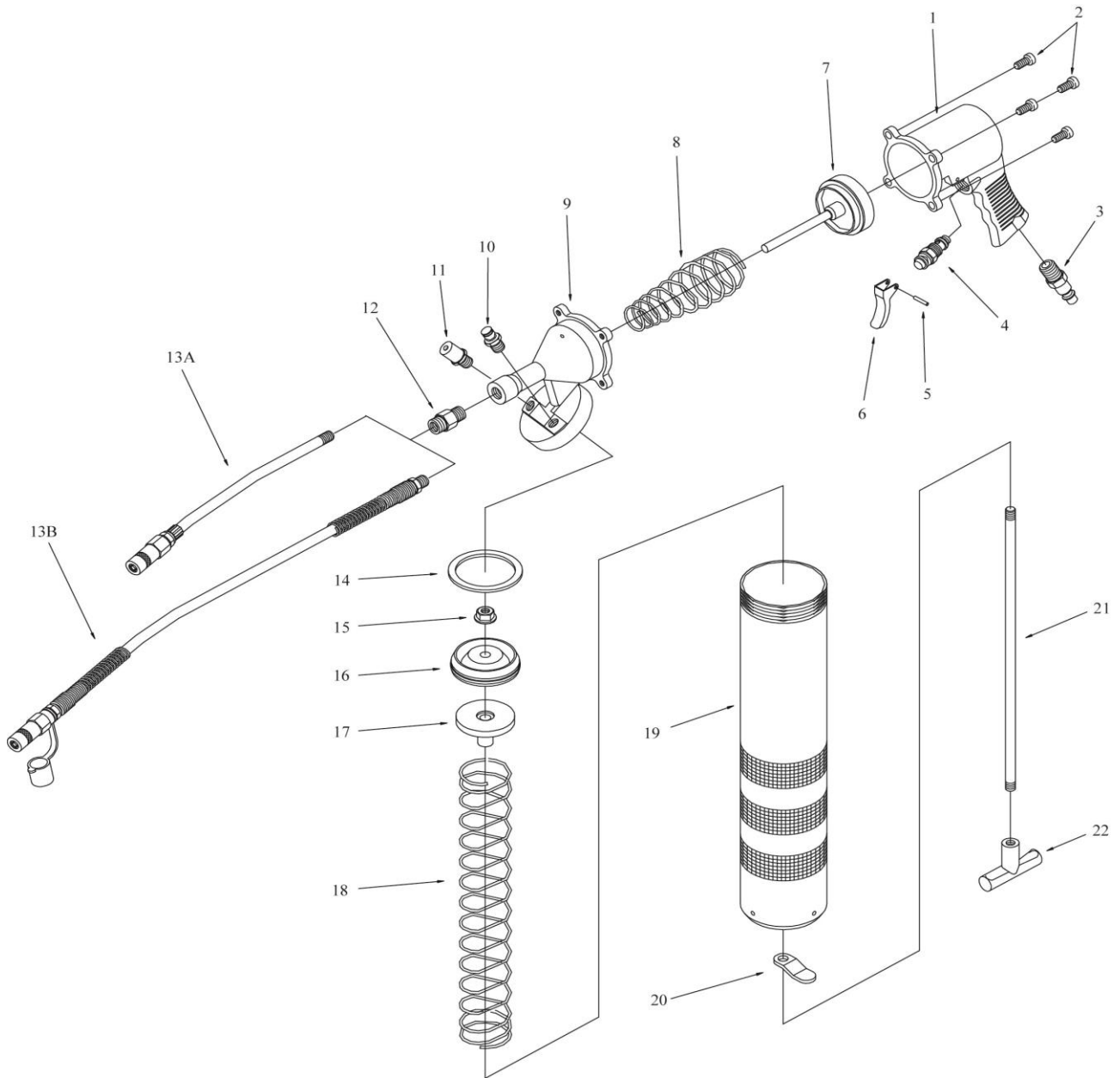


HEAVY DUTY AIR GREASE GUN



7419-XAP40

INDEX NO.	DESCRIPTION	REQ'D NO.	INDEX NO.	DESCRIPTION	REQ'D NO.
01	Finger Grip	1	13A	Hexagonal Spout	1
02	Screw	4	13B	High Pressure Nylon Hose (12,000psi) (Option)	1
03	Air Fitting	1	14	Gasket	1
04	Switch	1	15	Nut	1
05	Trigger Pin	1	16	Plunger	1
06	Trigger	1	17	Backlash Gasket	1
07	Air Plunger	1	18	Long Spring	1
08	Spring	1	19	Container Tube	1
09	Housing Cap	1	20	Clutch Plate	1
10	Air Vent Valve	1	21	Piston Rod	1
11	Filler Plug	1	22	Handle	1
12	Adapter	1			

0000.00.00

2015.07.15 2016.04.12

HEAVY DUTY AIR GREASE GUN OPERATING MANUAL

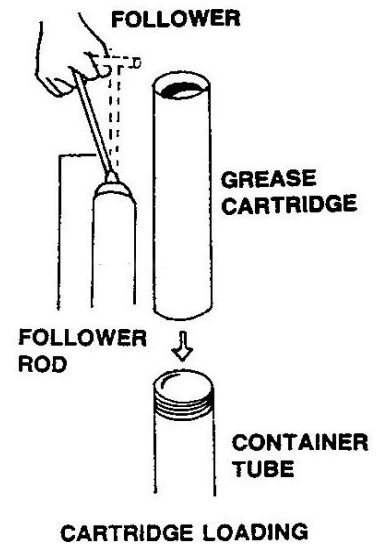
FOLLOW THESE STEPS CAREFULLY BEFORE USING THIS GUN CARTRIDGE LOADING

- (STEP 1) Remove gun head and plunger assembly from container tube.
- (STEP 2) To remove an empty cartridge, pull back on the follower handle until the follower rod is fully extended. Then, carefully release the follower handle to eject the empty cartridge from the container tube. Pull back on the follower handle. When the follower rod is fully extended, pull it sideways to latch the rod groove into keyhole slot in the container cap.
- (STEP 3) Remove the caps from both ends of the cartridge and insert the open end of the cartridge into the container tube with the metal rimmed end out.
- (STEP 4) Loosely assemble the head and plunger assembly to the container tube. Extend the lever gun handle away from the container tube and disengage the follower rod from the container cap. Engage the follower rod with the follower by rotating the follower handle.
- (STEP 5) Unscrew the container tube 1-1/2 turns from the head and plunger assembly and exert force on the follower handle until lubricant comes from outlet of gun head. Tighten container tube into the head and plunger assembly.
- (STEP 6) Disengage the follower rod from the follower by rotating the follower handle. Push the follower rod into the container. Then, assemble Hex. Metal Spout and screw into outlet of gun head.

* Please make sure that the end of the grease cartridge that has been inserted in the container tube should not be damaged or folded and remains in exact round shape. Otherwise the plunger rubber will be prevented from entering into the grease cartridge and grease cannot be forced out. If this case happens correct the above errors. Grease can be pumped out only if the above errors have been corrected.

* Do not re-use the empty grease cartridge again after using it.

* Application of some grease on the plunger rubber will make it easy to enter into the grease cartridge.



DISPENSER LOADING

(STEP 1) Remove slotted plug from head assembly and insert the proper loader fitting that adapts to pump being used.

(STEP 2) Extend level out on the grease gun and insert the loader fitting into pump adapter and fill.

NOTE: Always remove used cartridge from gun when bulk filling.

BULK LOADING

A. FILL WITH SCOOP OR WOODEN PIECE

(STEP 1) Remove the gun head from the container tube.

(STEP 2) Draw back the plunger handle entirely. Fill loose grease into empty container tube.

(STEP 3) Reassemble the gun head to the container tube. Release the piston rod. Push down the plunger handle.

B. SUCTION FILLING

(STEP 1) Remove the gun head from the container tube.

(STEP 2) Submerge open end of the container tube into grease bucket about 2" deep and pull the plunger handle out slowly and engage rod into key slot.

(STEP 3) Reassemble the gun head to the container tube. Release the piston rod. Push down the plunger handle.

IMPORTANT :

- If gun loses its prime, it is due to air pockets in the lubricant.

TO REPRIME :

- Unscrew container tube to 1-1/2 turns. Withdraw rod and rotate to engage follower. Push rod into container tube to expel the air pockets. Tighten gun head to container tube, disengage rod from follower and push rod into it.
- Now your grease gun ready for use.

