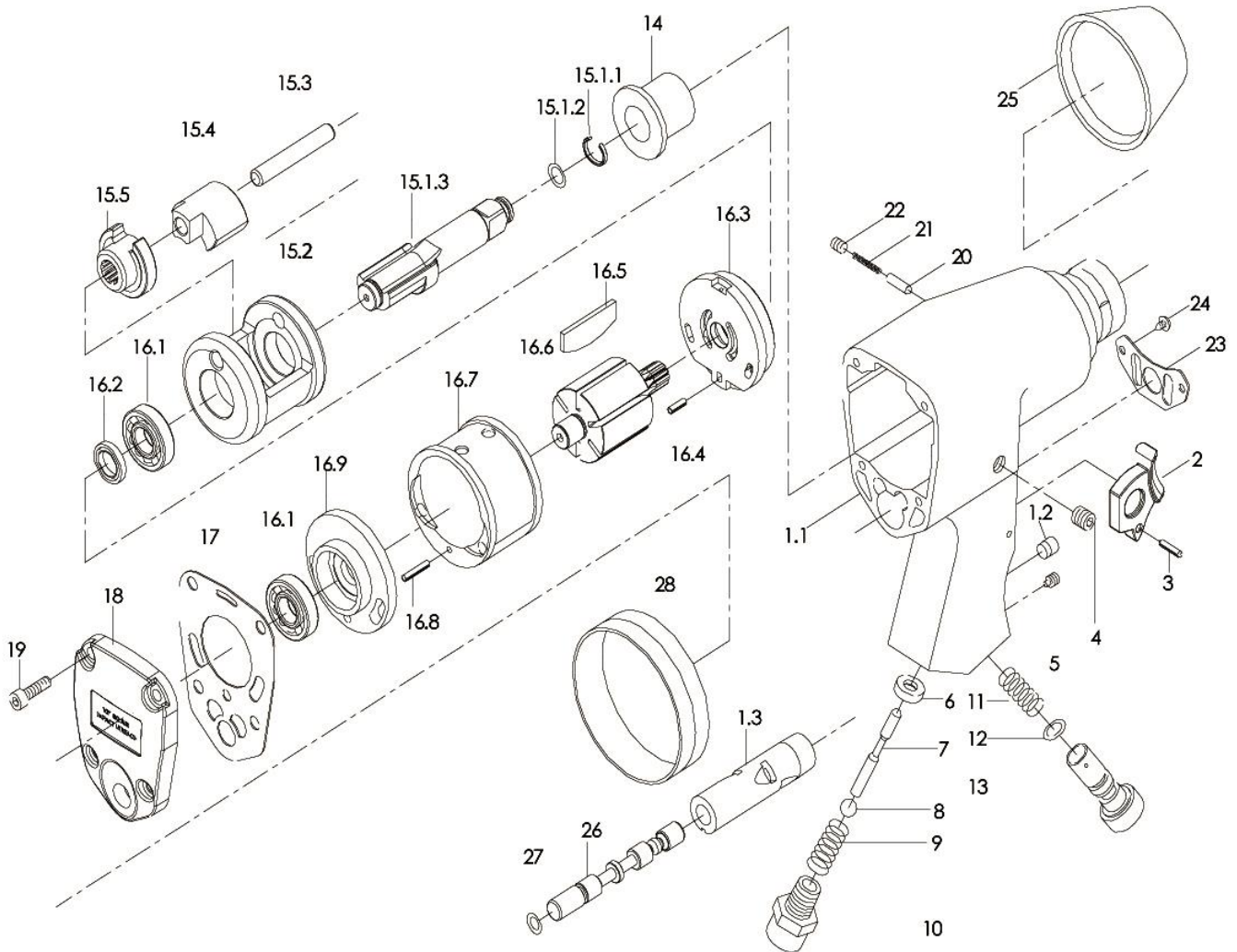


1/2" SQ. DR. GENERAL DUTY AIR IMPACT WRENCH



850

INDEX NO.	DESCRIPTION	REQ'D NO.	INDEX NO.	DESCRIPTION	REQ'D NO.
01	Housing Assembly (Incl.01.1, 01.2, 01.3)	1set	15.4	Hammer Dog	1
01.1	Housing(Option)	1	15.5	Cam	1
01.2	Plug(Option)	1	16	Cylinder Assembly(Option) (Incl.16.1×2, 16.2, 16.3 16.4, 16.5×6, 16.6, 16.7, 16.8, 16.9)	1set
01.3	Reverse Bushing(Option)	1			
02	Trigger	1	16.1	Ball Bearing	2
03	Spring Pin	1	16.2	Oil Seal	1
04	Oil Plug	1	16.3	Front End Plate	1
05	Screw	1	16.4	Dowel Pin	1
06	Bushing	1	16.5	Rotor Blade	6
07	Valve Stem	1	16.6	Rotor	1
08	Steel Ball	1	16.7	Cylinder	1
09	Spring	1	16.8	Dowel Pin	1
10	Air Inlet Bushing	1	16.9	Rear End Plate	1
11	Spring	1	17	Gasket	1
12	O-Ring	1	18	End Cap	1
13	Air Regulator	1	19	Cap Screw	4
14	Anvil Bushing	1	20	Pin	1
15	Hammer Assembly(Option) (Incl.15.1, 15.2, 15.3, 15.4, 15.5)	1set	21	Spring	1
			22	Screw	1
15.1	Anvil Assembly(Option) (Incl.15.1.1, 15.1.2, 15.1.3)	1set	23	Muffler Cover	1
			24	Screw	2
15.1.1	Socket Retainer	1	25	Protective Nose Cover	1
15.1.2	O-Ring	1	26	Reverse Valve	1
15.1.3	Anvil	1	27	O-Ring	1
15.2	Hammer Cage	1	28	Protective Band	1
15.3	Hammer Pin	1			