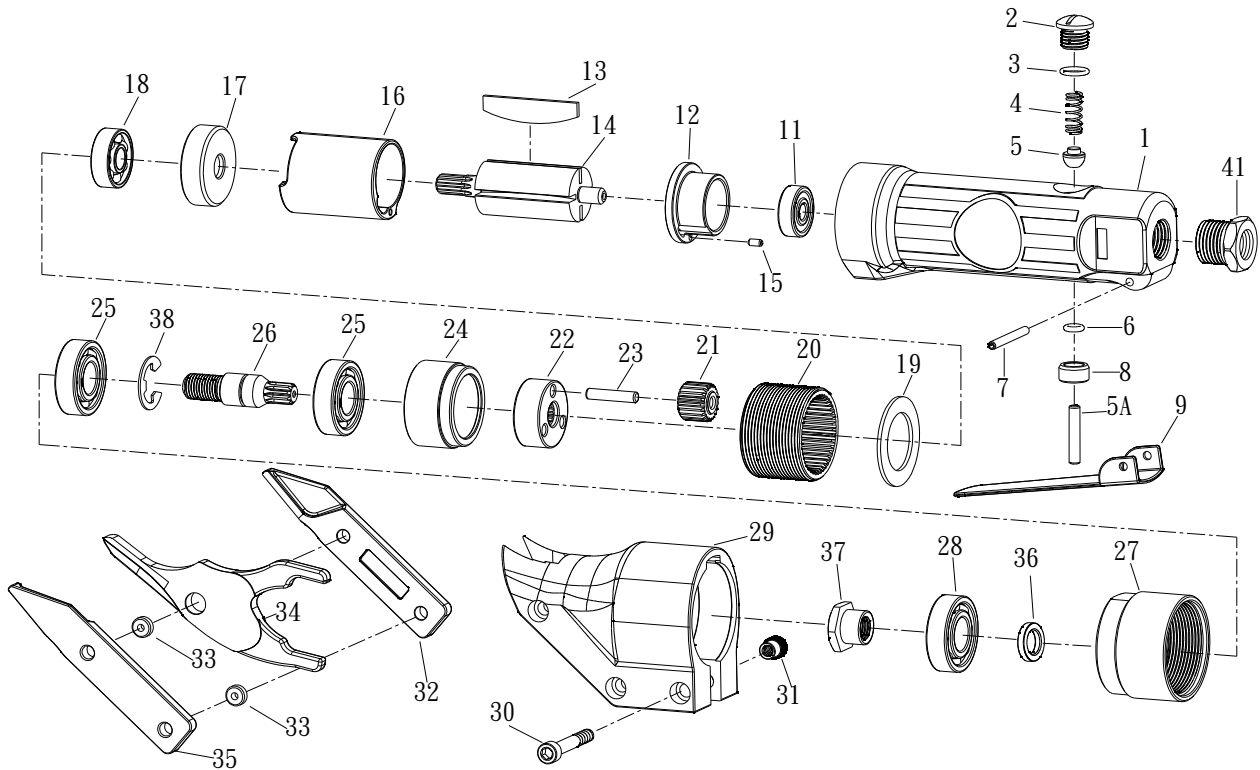


# HEAVY DUTY AIR METAL SHEARS



871

INDEX NO.	DESCRIPTION	REQ'D NO.	INDEX NO.	DESCRIPTION	REQ'D NO.
1	Motor Housing	1	21	Planet Gear	3
2	Valve Cap	1	22	Work Spindle	1
3	O-Ring	1	23	Pin	3
4	Spring	1	24	Bearing Cover	1
5	Throttle Valve	1	25	Ball Bearing	2
5A	Pin	1	26	Spindle	1
6	O-Ring	1	27	Coupling Nut	1
7	Spring Pin	1	28	Ball Bearing	1
8	Power Regulator	1	29	Cutter Housing	1
9	Trigger	1	30	Screw	3
11	Ball Bearing	1	31	Cutter Housing Nut	3
12	Rear End Plate	1	32	Right Blade	1
13	Rotor Blade	4	33	Spacer	2
14	Rotor	1	34	Center Blade	1
15	Spring Pin	1	35	Left Blade	1
16	Cylinder	1	36	Washer	1
17	Front End Plate	1	37	Eccentric Nut	1
18	Ball Bearing	1	38	Retainer	1
19	Washer	1	41	Air Inlet	1
20	Ring Gear	1	TK	Tune-Up Kit { 3.4.5.6.25 ( 2 ).28 }	

★ Must be Purchased in Assembly Set

● Recommended not to be purchased alone due to assembly difficulty

PA2-KM00871-4

20090708R1

CAUTION: PLEASE ALWAYS LUBRICATE THE

CUTTING HEADS PRIOR TO USE