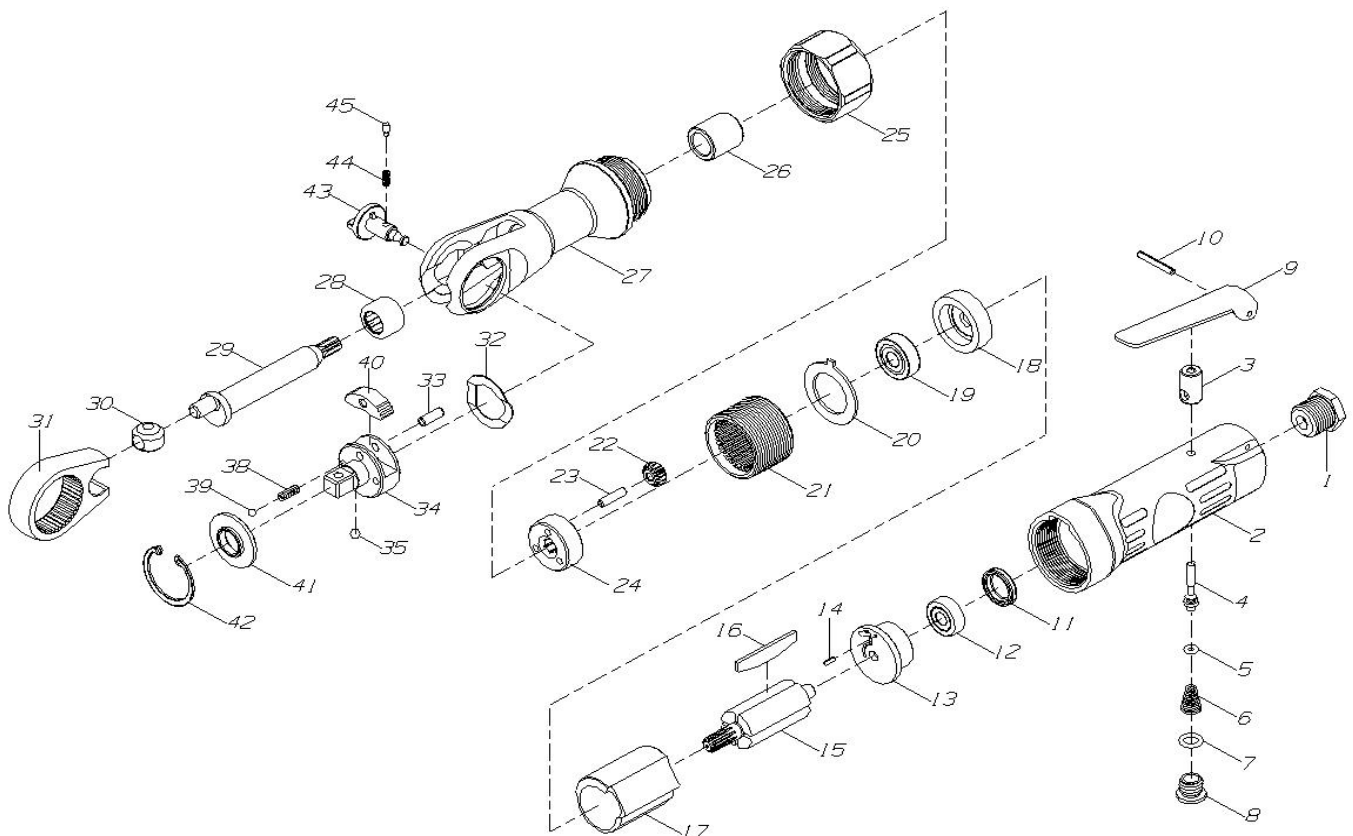


HEAVY DUTY RATCHET WRENCH



350 / 450

INDEX NO.	DESCRIPTION	REQ'D NO.	INDEX NO.	DESCRIPTION	REQ'D NO.
01	Inlet Bushing	1	24	Planet Cage	1
02	Handle	1	25	Clamp Nut	1
03	Bushing	1	26	Bushing	1
04	Valve	1	27	Ratchet Housing	1
05	O-Ring	1	28	Roller Bearing	1
06	Spring	1	29	Crank Shaft	1
07	O-Ring	1	30	Bushing Drive	1
08	Plug	1	31	Yoke	1
09	Lever	1	32	Washer	1
10	Pin	1	33	Pin	1
11	Bearing Cap	1	34A	3/8" Ratchet Anvil	1
12	Ball Bearing	1	34B	1/2" Ratchet Anvil	1
13	Rear End Plate	1	35A	Steel Ball (for 3/8")	1
14	Pin	1	35B	Steel Ball (for 1/2")	1
15	Rotor	1	38	Spring	2
16	Rotor Blade	4	39	Steel Ball	2
17	Cylinder	1	40	Pawl	1
18	Front End Plate	1	41A	Washer (for 3/8")	1
19	Ball Bearing	1	41B	Washer (for 1/2")	1
20	Washer	1	42	Retaining Ring	1
21	Internal Gear	1	43	Reverse Button	1
22	Gear	3	44	Spring	1
23	Pin	3	45	Lock Pin	1

0000.00.00

2003.06.10 2006.01.25