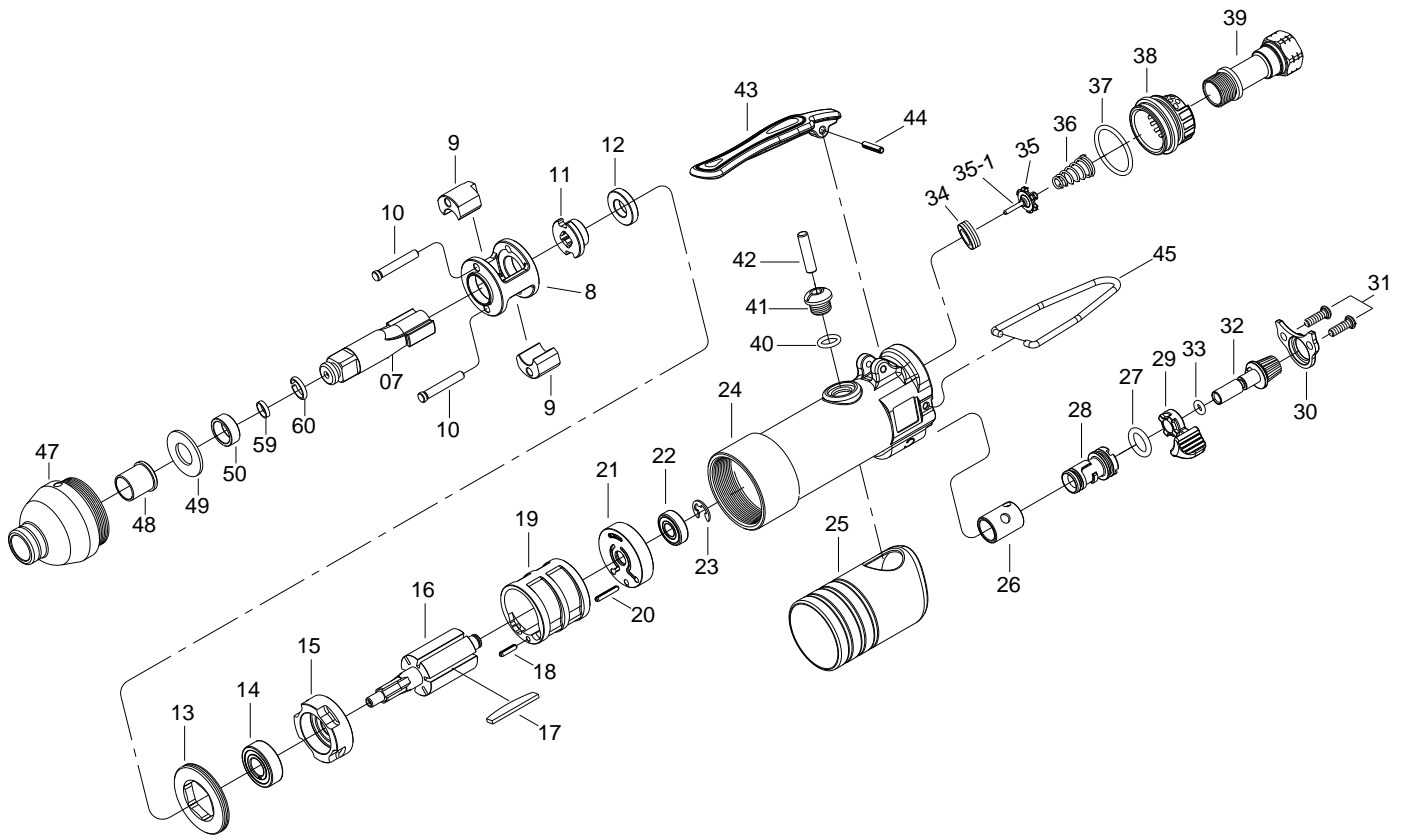


3/8" SQ. DR. SUPER DUTY IMPACT WRENCH



1302

INDEX NO.	DESCRIPTION	REQ'D NO.	INDEX NO.	DESCRIPTION	REQ'D NO.
★ 7	Standard Anvil (incl.59.60)	1	31	Screw	2
8	Hammer Frame	1	32	Air Regulator	1
9	Hammer	2	33	O-Ring	1
10	Hammer Pin	2	● 34	Throttle Valve Seat	1
11	Cam	1	★ 35	Throttle Valve Assembly (incl.34.35-1)	1
12	Hammer Frame Washer	1	● 35-1	Throttle Valve Pin	1
13	Lock Nut	1	36	Spring	1
14	Ball Bearing	1	37	O-Ring	1
15	Front End Plate	1	38	Exhaust Deflector	1
16	Rotor	1	39	Air Inlet	1
17	Rotor Blade	6	40	O-Ring	1
18	Spring Pin	1	41	Valve Cap	1
19	Cylinder	1	42	Pin	1
20	Spring Pin	1	43	Trigger	1
21	Rear End Plate	1	44	Trigger Pin	1
22	Ball Bearing	1	45	Hanger	1
23	Retainer	1	47	Hammer Case	1
★ 24	Housing Assembly (incl.26)	1	48	Bushing	1
25	Rubber Grip	1	49	Washer	1
● 26	Reverse Valve Bushing	1	50	Axle Bushing	1
27	O-Ring	1	● 59	O-Ring	1
28	Reverse Valve	1	● 60	Retainer	1
29	Reverse Knob	1			
30	Fixed Plate	1	TK	Tune-Up Kit { incl.17 (6),27.33.36.37.40 }	

★ Must be Purchased in Assembly Set

● Recommended not to be purchased alone due to assembly difficulty

20150119R1