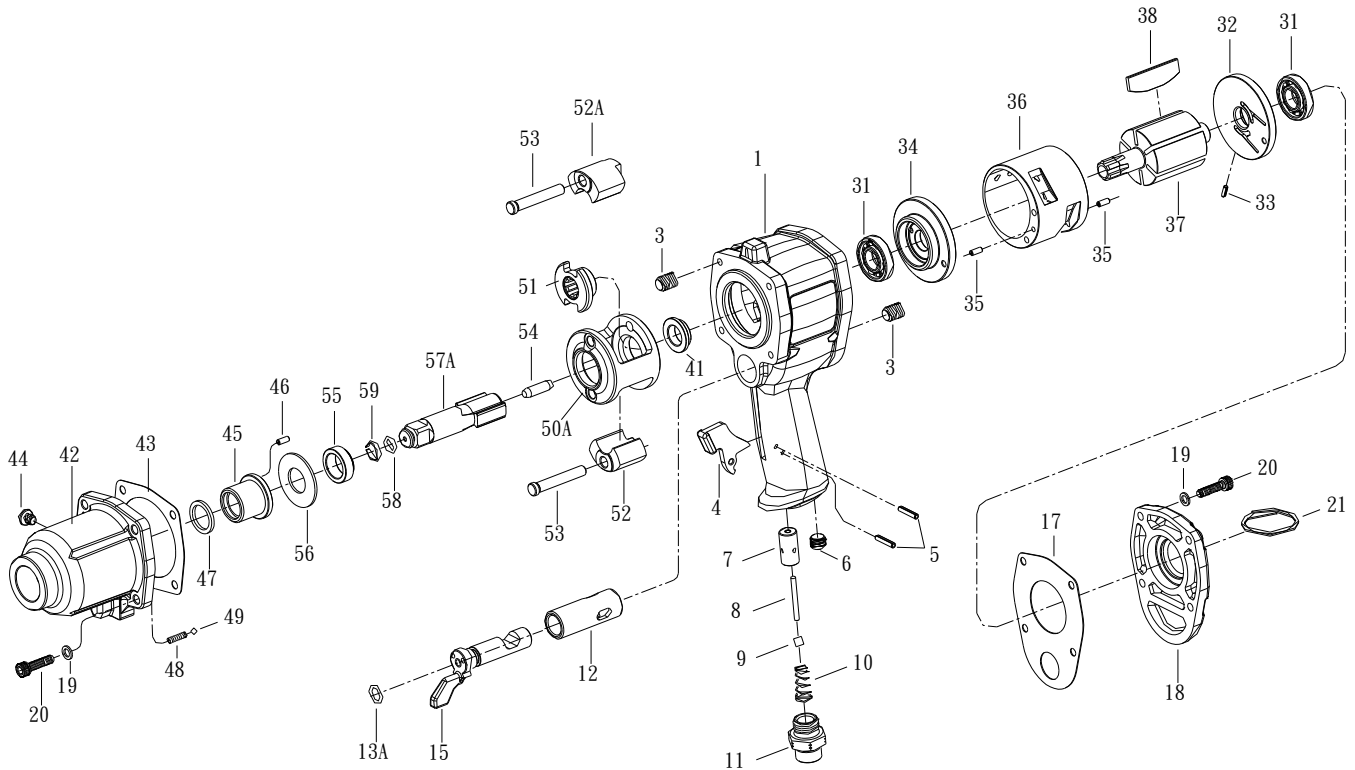


1/2" SQ. DR.SUPER DUTY IMPACT WRENCH



1318

INDEX NO.	DESCRIPTION	REQ'D NO.	INDEX NO.	DESCRIPTION	REQ'D NO.
★ 1	Housing Assembly { linc.3(8).6.7.12 }	1	36	Cylinder	1
3	Heli-Coil	8	37	Rotor	1
4	Trigger	1	38	Rotor Blade	6
5	Spring Pin	2	41	Frame Washer	1
6	Set Screw	1	42	Hammer Case	1
7	Throttle Valve Seat	1	43	Gasket	1
8	Throttle Valve Plunger	1	44	Screw	1
9	Steel Ball	1	45	Bushing	1
10	Spring	1	46	Spring Pin	1
11	Air Inlet	1	47	Felt Ring	1
12	Reverse Valve Bushing	1	48	Spring	1
13A	O-Ring	1	49	Steel Ball	1
15	Reverse Valve	1	50A	Hammer Frame	1
17	Gasket	1	51	Cam	1
18	Backhead	1	52A	Hammer	2
19	Spring Washer	8	53	Hammer Pin	2
20	Screw	8	54	Pin	1
21	Hanger	1	55	Bushing	1
31	Ball Bearing	2	56	Washer	1
32	Rear End Plate	1	57A	Standard Anvil	1
33	Spring Pin	1	58	O-Ring	1
34	Front End Plate	1	59	Socket Retainer	1
35	Spring Pin	2	TK	Tune-Up Kit { 10.13A.17.31(2).38(6).43.58.59 }	

★ Must be Purchased in Assembly Set

● Recommended not to be purchased alone due to assembl

PA3-01318-3

20090408R1