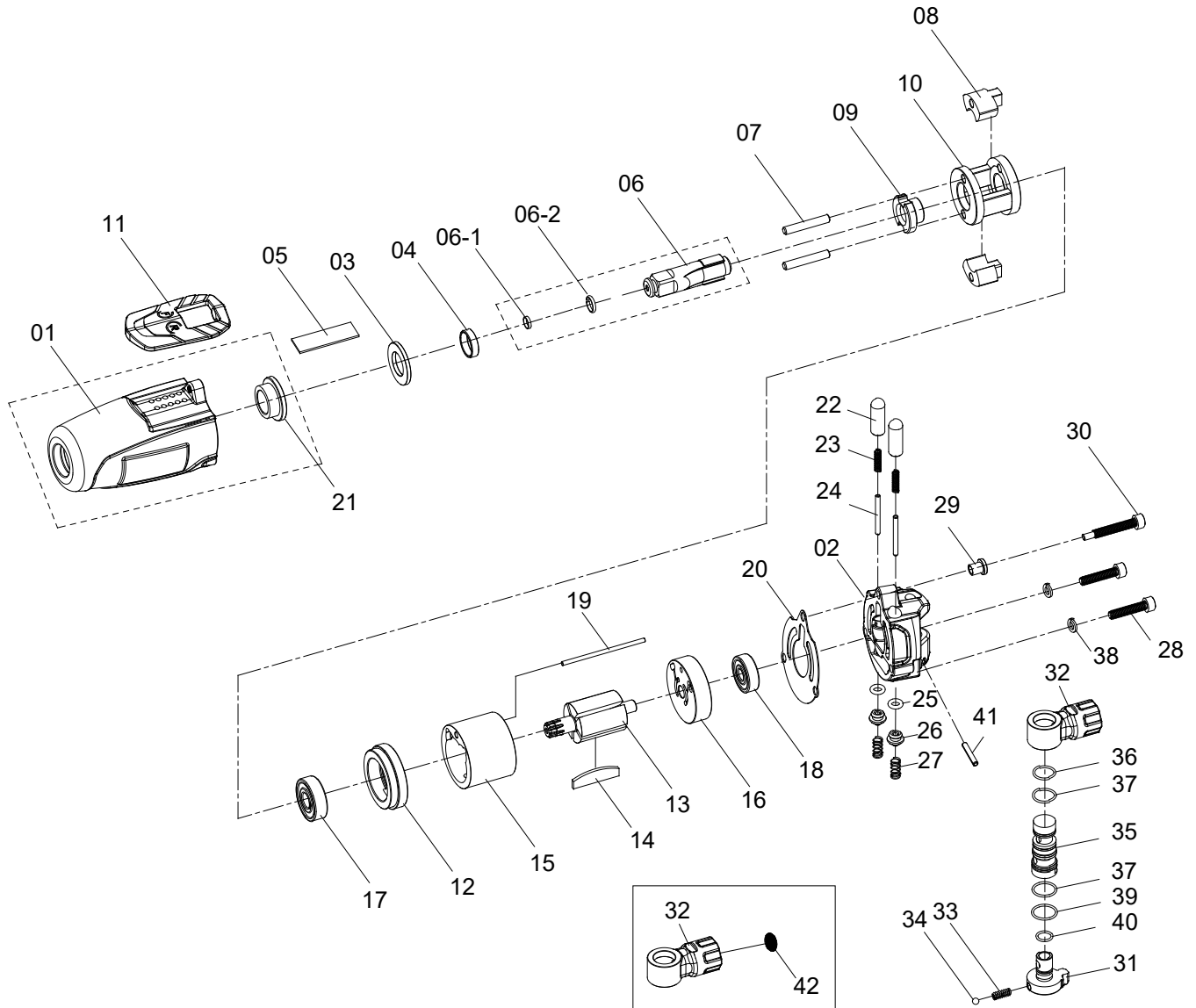


3/8" SQ. DR. SUPER DUTY IMPACT WRENCH



1321A

INDEX NO.	DESCRIPTION	REQ'D NO.	INDEX NO.	DESCRIPTION	REQ'D NO.
★ 1	Housing Assembly (incl.21)	1	22	Valve Stem	2
2	Backhead	1	23	Spring	2
3	Washer	1	24	Pin	2
4	Bushing	1	25	O-Ring	2
5	Muffler Element	1	26	Throttle Valve	2
★ 6	Standard Anvil Assembly (incl.6-1.6-2)	1	27	Throttle Valve Spring	2
● 6-1	O-Ring	1	28	Screw	2
● 6-2	Socket Retainer	1	29	Bushing	1
7	Hammer Pin	2	30	Screw	1
8	Hammer	2	31	Reverse Valve Knob	1
9	Hammer Cam	1	★ 32	Air Inlet Assembly (incl.42)	1
10	Hammer Frame	1	33	Steel Ball Spring	1
11	Throttle Lever	1	34	Steel Ball	1
12	Front End Plate	1	35	Valve Bushing	1
13	Rotor	1	36	O-Ring	1
14	Rotor Blade	5	37	O-Ring	2
15	Cylinder	1	38	Spring Washer	2
16	Rear End Plate	1	39	O-Ring	1
17	Ball Bearing	1	40	O-Ring	1
18	Ball Bearing	1	41	Pin	1
19	Pin	1	● 42	Filter Screen	1
20	Backhead Gasket	1	TK	Tune-Up Kit { incl.6-1.6-2.14 (5).20.23 (2).25 (2).27 (2).33.34.36.37 (2).39.40 }	
● 21	Bushing	1			

★ Must be Purchased in Assembly Set

● Recommended not to be purchased alone due to assembly difficulty

20180621R1