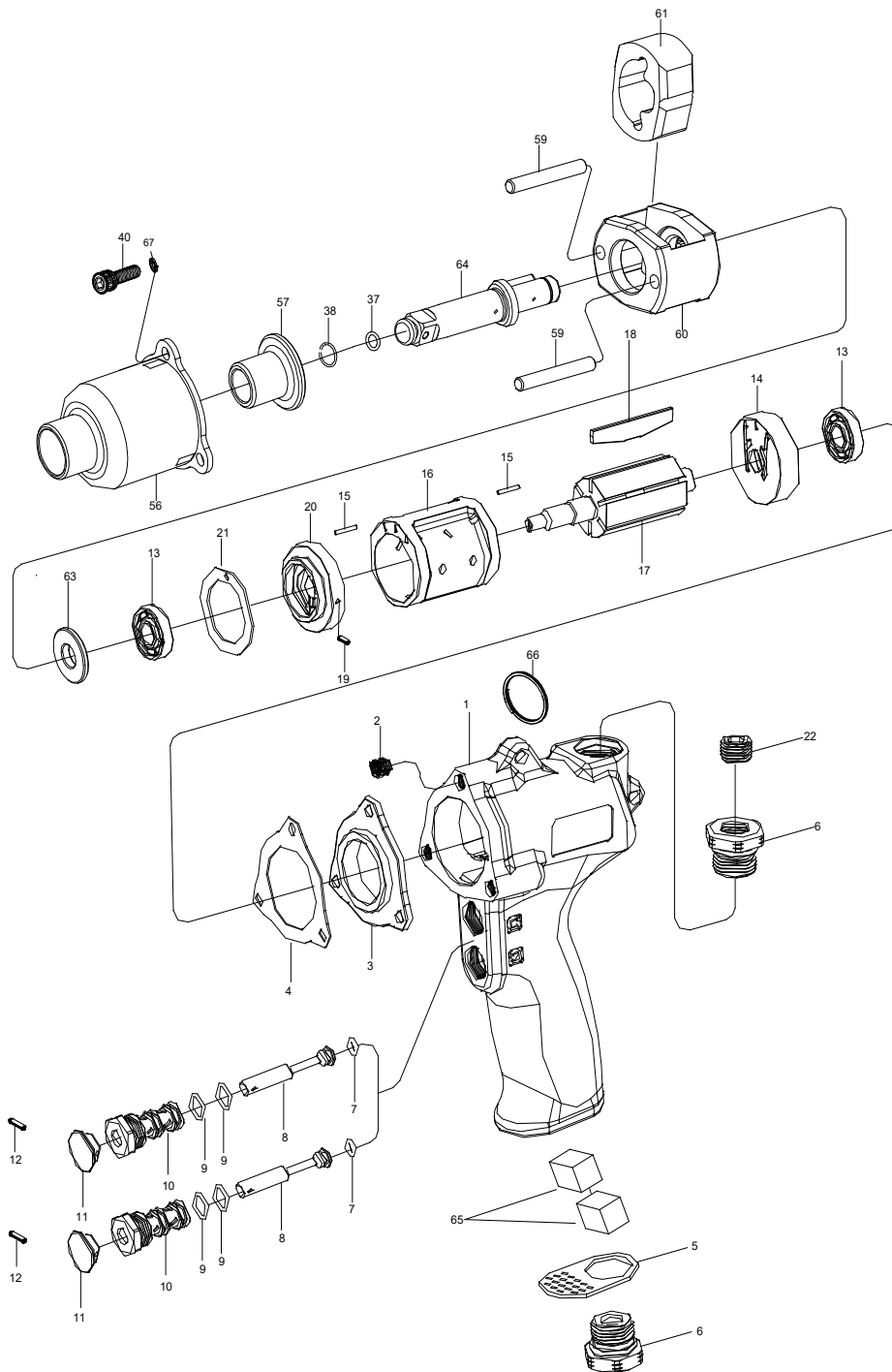


3/8" SQ. DR. SUPER DUTY IMPACT WRENCH



1326P-J

INDEX NO.	DESCRIPTION	REQ'D NO.	INDEX NO.	DESCRIPTION	REQ'D NO.
1	Motor Housing	1	19	Spring pin	1
2	Heli-Coil	3	20	Front End Plate	1
3	Hammer Case Pivot	1	21	Gasket	1
4	Gasket	1	22	Set Screw	1
5	Exhaust Deflector	1	37	O-Ring	1
6	Air Inlet	2	38	Socket Retainer	1
7	O-Ring	2	40	Screw	3
8	Valve Stem	2	56	Hammer Case	1
9	O-Ring	4	57	Bushing	1
10	Valve Bushing	2	59	Hammer Pin	2
11	Valve Lever	2	60	Hammer Frame	1
12	Spring pin	2	61	Hammer	1
13	Ball Bearing	2	63	Spacer	1
14	Rear End Plate	1	64	Standard Anvil	1
15	Spring pin	2	65	Muffler Element	2
16	Cylinder	1	66	Hanger	1
17	Rotor	1	67	Washer	3
18	Rotor Blade	6	TK	Tune-Up Kit { incl.7 (2).9 (4).18 (6).37.38.65 (2) }	

★ Must be Purchased in Assembly Set

● Recommended not to be purchased alone due to assembly difficulty